

Contact Details

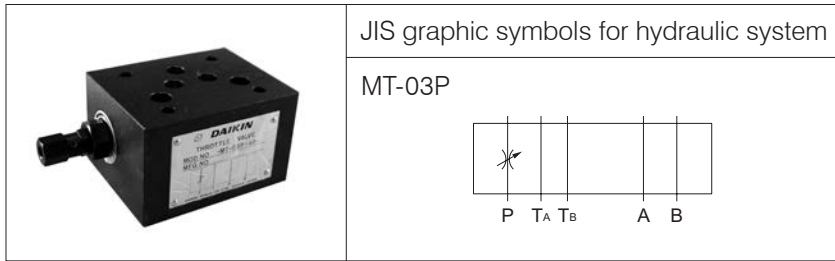
Before using the product, please check the guide pages at the front of this catalog.

Internet

<https://www.daikinpmc.com/en/>

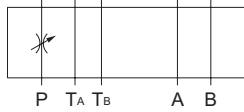
For latest information, PDF catalogs and operation manuals

03 Series Stacking Type Port P Throttle Valves



JIS graphic symbols for hydraulic system

MT-03P



Nomenclature

※ - MT - 03 P - 40 - ※
 1 2 3 4 5 6

1 Applicable fluid code

No designation: Petroleum-based hydraulic fluid,
 water-glycol hydraulic fluid
 F: Phosphate ester hydraulic fluid

2 Model No.

MT: Modular stacking type throttle valve

3 Nominal diameter

03: $\frac{3}{8}$

4 Control port

P: Port P

5 Design No.

(The design No. is subject to change)

6 Option code

No designation: Flow rate adjusting screw type
 T: Flow rate adjusting handle type

Specifications

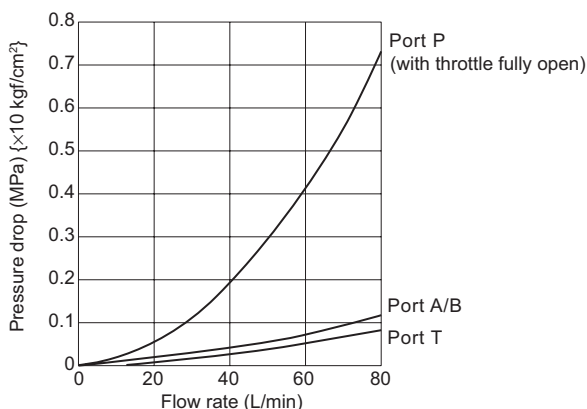
Model code	Maximum operating pressure MPa {kgf/cm ² }	Maximum flow rate L/min	Mass kg
MT-03P-40	25 {250}	80	2.3

Handling

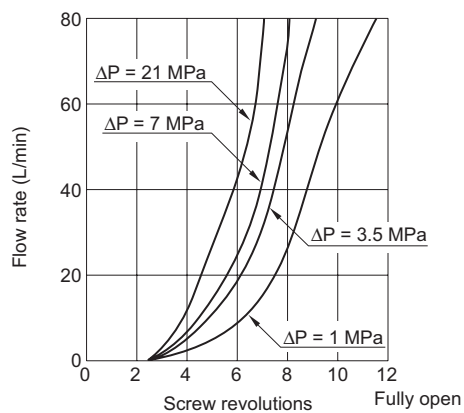
- The flow rate will not be zero even if the flow rate adjusting screw is fully tightened.

Performance curves (viscosity: 32 mm²/s {cSt})

Pressure drop characteristics



Adjusting screw revolution - Flow rate characteristics



Contact Details

Before using the product, please check the guide pages at the front of this catalog.

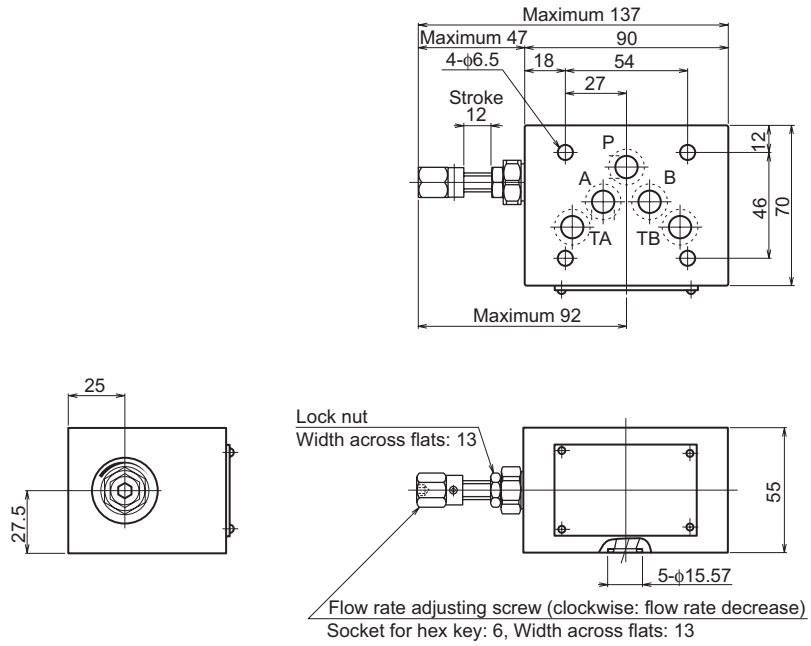
Internet

<https://www.daikinpmc.com/en/>

For latest information, PDF catalogs and operation manuals

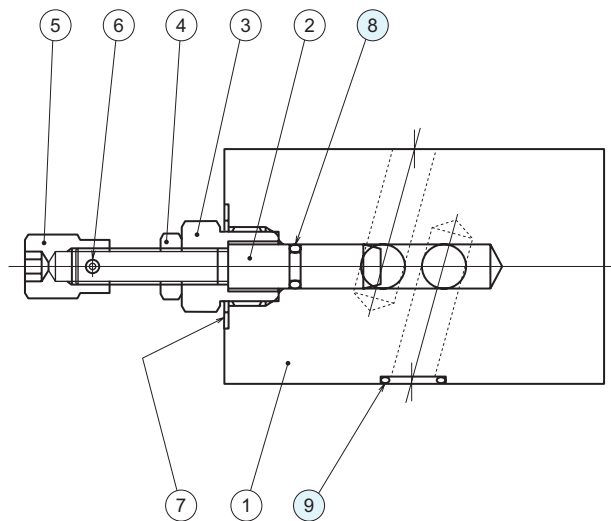
External dimension diagram

MT-03P



Sectional structural diagram

MT-03P



Sealing part table

Part No.	Name	Quantity	Part specifications
8	O-ring	1	JIS B 2401 1B P7
9	O-ring	5	AS568-014 (NBR,Hs90)