

CONPROSYS nano Series
Remote I/O CPU Unit
CPSN-MCB271-S1-041
Remote I/O Model CPU Unit (LAN HUB)
CPSN-MCB271-1-041



CPSN-MCB271-S1-041



CPSN-MCB271-1-041

* Specifications, color and design of the products are subject to change without notice.

Hardware Features

I/O module expansion

With this product, you can freely add I/O modules to match the necessary functions from among the varied collection of CONPROSYS nano series I/O modules.

Max. 921,600bps RS-232C Serial Communication (only CPSN-MCB271-S1-041)

The Product has one RS-232C-standard serial port. Baud rates from 110 to 921,600 bps can be set.

Compact Design

Compact design, 110 (W) × 74.8 (D) × 95 (H) mm, features flexibility in installation.

Easy installation and removal of I/O modules

Expansion modules can be installed and removed without any tools.

Adaptable to a wide range of temperature between -20 and +60°C

The product is capable of operating in the temperature between -20 and + 60°C. It can be installed in the various environments.

Installation easy with a two-piece terminal on DIN or with screws

Regarding the power connector, the terminal connector can be removed without a screwdriver. Even when a malfunction occurs, this product can be replaced in a short length of time. Furthermore, as the product is mounted on the DIN rail, removing and replacing are easy as well. This product can also be installed with screws, so it supports a wide range of installation situations.

Equipped with the LED for an operation check

The product has the LED for an operation check, which helps you visually confirm the communication status of each interface.

No electrolytic capacitor

Without an electrolytic capacitor, which has a limited life, we are creating the product with a longer life.

2 ports of LAN port containing a switch function (available with the CPSN-MCB271-1-041 only)

The product with 2 ports of LAN port contains a switch function and can configure a network like daisy-chain connection.

The CPSN-MCB271-S1-041 contains one port of LAN port.

This product is a remote I/O model CPU unit that has RS-232C *1 and LAN interfaces in addition to four expansion slots. If necessary, you can freely combine this product with CONPROSYS nano series I/O modules.

In addition, this product can be controlled from a PC running Windows or Linux and supports Modbus TCP Slave and Modbus RTU Slave *1.

*1: This is available with CPSN-MCB271-S1-041 model only.

- * The contents in this document are subject to change without notice.
- * Visit the CONTEC website to check the latest details in the document.
- * The information in the data sheets is as of July 2022.

Software Features

Compatible with Modbus TCP Slave and Modbus RTU Slave^{*1}

Modbus is a communication protocol widely adopted in the industrial sector. Controlling and collecting data from higher-level devices with Modbus Master function can be conducted.

*1: This is available with CPSN-MCB271-S1-041 model only.

Applicable with Windows driver software

The product supplies UDP/IP-based original protocol (F&EIT) and applications can be created with Windows driver software in the Win32 API function format (DLL). In top of that, you can check whether software and hardware are operating properly with the diagnostic program.

Support the virtual COM driver

Software virtual COM driver enables you to operate the product in the same way as PC COM port (standard COM). Applications can be created with the OS standard Win32 API communication function.

Packing List

Product [CPSN-MCB271-S1-041 or CPSN-MCB271-1-041] ...1

Product Guide...1

Warranty Certificate...1

Serial Number Label...1

Power Connector ...1(Attached to the product)

Blank panel...3(Attached to the product)

* This product is verified in conformity with our recommended power supply. In case you use other power supplies, thus, it may not be able to fulfil certification requirements. Please see the CONTEC website regarding power supply recommendation (<https://www.contec.com/>).

Specifications

Function specifications

Item		CPSN-MCB271-S1-041	CPSN-MCB271-1-041
CPU		ARM Cortex-M3 180MHz	
Memory		On Board 16MB SDRAM	
ROM		On-Board 4MB NOR Flash for OS	
FeRAM		On-Board 32kB	
LAN	Transmission standard	10BASE-T/100BASE-TX	
	The number of channels	1	2 (contains a switch function) *1
	Connector	RJ-45 Connector	
	LED	Speed (Orange), Link / Act (Green)	
USB	Transmission standard	USB2.0 standard follow	
	The number of channels	1	
	Connector	TYPE-A	
microSD Card slot	Standard	SD standard follow	
	Connector	microSD memory card slot	
RS-232C	Baud Rate	110 - 921.6kbps	-
	Isolation	Non-isolated	
	Data length	5, 6, 7, 8 bit	1, 1.5, 2 stopbit
	Parity check	Even, Odd, Non-parity	
	The number of channels	1ch	
	Connector	9-pin D-SUB Connector (Male)	
Expansion slot	Number of slots	4	
	Maximum power supply	12 - 24V 200mA, 5V 250mA, 3.3V 200mA (per slot)	
	Number of insertions/removals	50 times (min)	
LED	PWR(Green) / RUN(Green) / STS(Green) / ERR(Red)		
Switch	Push switch		
RTC	Monthly error	±15 seconds or less (25°C)	
	Backup time	Not equipped with the date retention battery for backup	
Power supply *2	Rated input voltage	12 - 24VDC	
	Input voltage range	10.8 - 30VDC	
	Power consumption	<CPU Unit alone *3> 24V 0.08A (Typ.), 0.1A (Max), 12V 0.15A (Typ.), 0.2A (Max) <With I/O module and USB> 24V 1.5A (Max), 12V 2.0A (Max)	
	Connector	2 pieces 3.5mm pitch 3-pin Terminal (V+, V-, FG)	
	Applicable wire	AWG24 - 16	
	Surge protection element V+ - V-, V- - FG	Interactive TVS Diode Stand off voltage: ±30V, Peak pulse power: 400W (1ms)	
Physical dimensions (mm)	110(W) x 74.8(D) x 95(H)mm (not include projection)		
Weight	250g		
Installation method	Quick installation on a 35 mm DIN rail Vertical installation with screws *4		

- *1 The CPSN-MCB271-1-041 model contains a switch function and can configure a network like daisy-chain connection between LAN A port and LAN B port.
- *2 Use power cable within 3meters.
- *3 With no USB load and no expansion slot load
- *4 Commercially available screws are required.

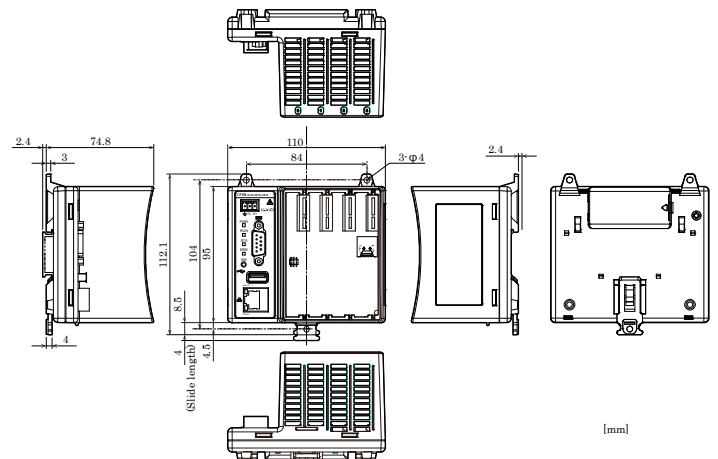
Installation Environment Requirements

Item	Description
Operating ambient temperature	Vertical installation -20 - +60°C Vertical installation with an angle of 90° to the right/left Horizontal installation : -20 - +55°C
Operating ambient humidity	10 - 90%RH (No condensation)
Non-operating ambient temperature	-20 - +60°C
Non-operating ambient humidity	10 - 90%RH (No condensation)
Floating dust particles	Not to be excessive
Corrosive gases	None
Line-noise resistance	Line noise AC Line/±2kV *5 Signal Line /±1kV (IEC61000-4-4 Level 3, EN61000-4-4 Level 3)
	Static electricity resistance Touch /±4kV (IEC61000-4-2 Level 2, EN61000-4-2 Level 2) Air /±8kV (IEC61000-4-2 Level 3, EN61000-4-2 Level 3)
Vibration resistance	Sweep resistance 10 - 57Hz *6 /semi-amplitude vibration 0.15mm, 57 - 150Hz/2.0G 40minutes each in X, Y, and Z directions (JIS C60068-2-6-compliant, IEC60068-2-6-compliant)
Shock resistance	15G half-sine shock for 11ms in X, Y, and Z directions (JIS C 60068-2-27 -compliant, IEC 60068-2-27 - compliant)
Grounding	Class D grounding (previous class 3 grounding), SG-FG/ non-conduction
Standard	VCCI Class A, FCC Class A, CE Marking (EMC Directive Class A, RoHS Directive) , UKCA

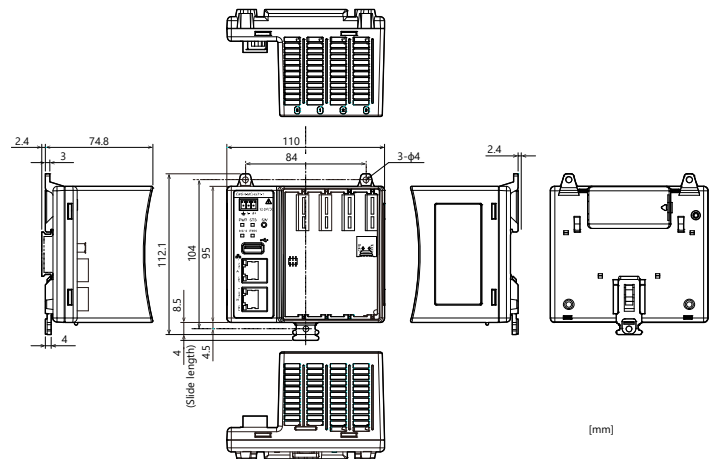
- *5 When an optional power product is used.
- *6 When an optional power product is used : 10 - 55Hz (See the manual of optional power product for details)

Physical Dimensions

CPSN-MCB271-S1-041



CPSN-MCB271-1-041



List of Options

DIN rail mounting power supply

CPS-PWD-30AW24-01 : Fitting power supply 30W
 Input: 100 - 240VAC, output: 24VDC 1.3 A)

CPS-PWD-90AW24-01 : Fitting power supply 90W
 (Input: 100 - 240VDC, Output: 24VDC 3.8A)

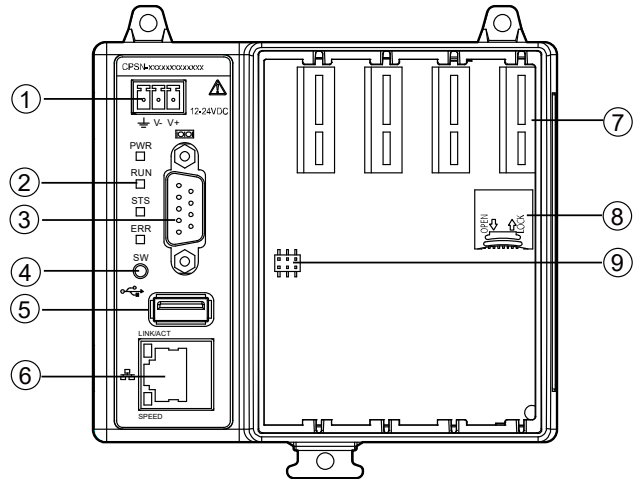
I/O module

- CPSN-DI-08L : with digital input
(input 8 channels, No built-in power supply)
- CPSN-DI-08BL : with isolated digital input
(input 8 channels, built-in power supply)
- CPSN-DI-16BCL : with isolated digital input (input 16 channels, switchable between external and built-in power supplies, switchable between sink input and source input)
- CPSN-DIO-08SL : with isolated digital input/output (input 8 channels, output 8 channels, sink output)
- CPSN-DO-08L : with isolated digital output
(output 8 channels, No built-in power supply)
- CPSN-DO-08BL : with isolated digital output
(output 8 channels, built-in power supply)
- CPSN-DO-08RL : with isolated digital output (output 8 channels, source output)
- CPSN-DO-08BRL : with isolated digital output (output 8 channels, built-in power supply, source output)
- CPSN-RRY-4PCA : with relay contact output (4channels)
- CPSN-AI-1208LI : with isolated analog input
- CPSN-AI-2408LI : with isolated analog input (24-bit voltage input 8 channels/current input 4channels)
- CPSN-AO-1602LC : with non-isolated analog output (16-bit voltage output 2 channels/current output 2 channels)
- CPSN-CNT-3201I : with isolated counter input (1channel)
- CPSN-COM-1PD : with isolated RS-422A/485 (1channel)
- CPSN-SSI-4C : with isolated the thermocouple input (4channels)

* Visit the CONTEC website regarding information on the optional products.

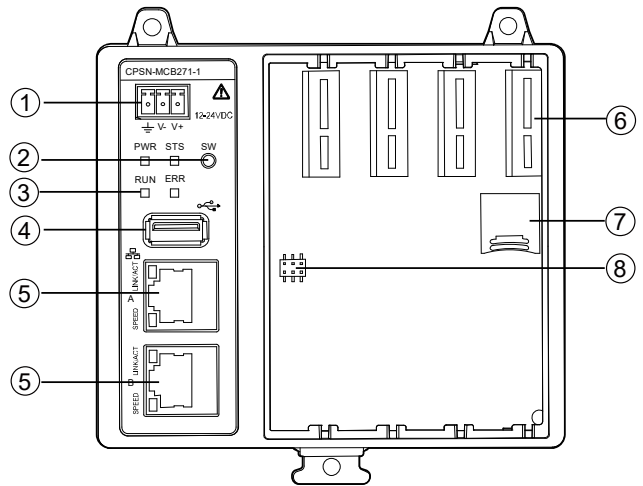
Name of each parts

CPSN-MCB271-S1-041



- (1) Power Connector : Use the power connector (3 pin connector), included in this package.
- (2) LED Indicator : Indicates the status of the product.
- (3) RS-232C : It is a RS-232C serial ports (male).
- (4) Push Switch : This is used with the software setup.
- (5) USB Port : It is a USB port of type-A.
- (6) LAN Port : It is a connector for LAN.
- (7) Expansion slot : These are used to supply power to and communicate with expansion modules.
- (8) microSD Card Slot : It is for data storage.
- (9) Jumper : Please do not use it.

CPSN-MCB271-1-041

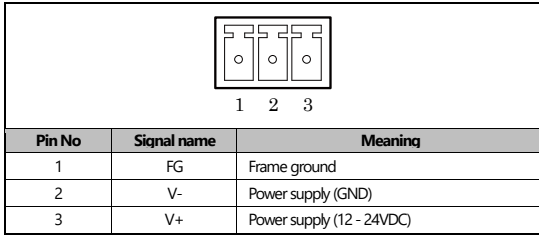


- (1) Power Connector : Use the power connector (3 pin connector), included in this package.
- (2) Push Switch : This is used with the software setup.
- (3) LED Indicator : Indicates the status of the product.
- (4) USB Port : It is a USB port of type-A.
- (5) LAN Port : It is a connector for LAN.
- (6) Expansion slot : These are used to supply power to and communicate with expansion modules.
- (7) microSD Card Slot : It is for data storage.
- (8) Jumper : Please do not use it.

Power Connector (12 - 24VDC)

Use the 3-pin connector, included in the package, to connect to external power.

Connector type: DEGSON 15EDGKD-3.5-03P-13-00A(H) (or equivalent)



RS-232C Interface (COM)

This product has 1port of RS-232C compliant serial interface.
 (the CPSN-MCB271-S1-041 only) The baud rate is 921,600bp (Max.)

