

Gauge Damper



Features

- Used to absorb pressure fluctuations (pulsation, surge pressure, etc.) to make it easier to read the pressure gauge and to prolong its service life.

Nomenclature

DGV - ※ ※

1

2

1 Model No. (Applicable fluids: petroleum-based hydraulic oils)

DGV: Gauge damper

2 Piping diameter

02: G $\frac{1}{4}$, R $\frac{3}{8}$

03: G $\frac{3}{8}$, R $\frac{3}{8}$

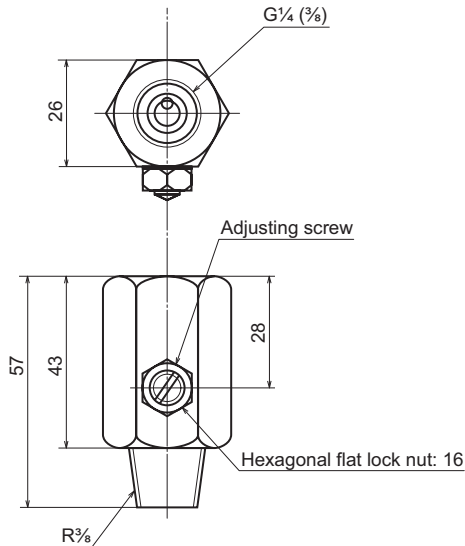
Specifications

Model code	Maximum operating pressure MPa {kgf/cm ² }	Mass kg
DGV-※※	14 {140}	0.4

External dimension diagram

DGV-02

DGV-03



(Dimensions in parentheses are for DGV-03.)

Handling

- Do not overtighten the adjusting screw.
- Be sure to lock the adjusting screw with the lock nut after adjustment.