



Cleanness by Purpose

Diaphragm Valve

*High Pressure Diaphragm Valve
(16.2MPa)*

DVEK series



IHARA SCIENCE CORPORATION

【Features】

DVEK Series valves are the metal diaphragm seal valve for high pressure with excellent cost performance , developed to contribute to energy and resource conservations which is becoming a major assignment in recent days.

- Diaphragm made of Ni-Co alloy is installed. Realized high airtightness and high durability.
- Parts contact with fluid are precisely rinsed and treated oil free.
- Assembles and packaged in a clean room.
- Minister certification, Type N-valves

Specification

Nominal Size	1/4"
Work Pressure	Vac.~16.2MPa
Work Temp.	-10~+80°C
Cv value	0.1

(※1)

Other connection types available. Inquire us.

(※2)

VTF connection (male). Differ from connection* size.

Connection(※1)	VTF(Metal Gaskrt Seal) BI-Lok (Double ferrule fitting)
Weight(※2)	485g
Inner volume (※3)	1.2cc
Durability (※4)	≥ 400,000 times

(※3)

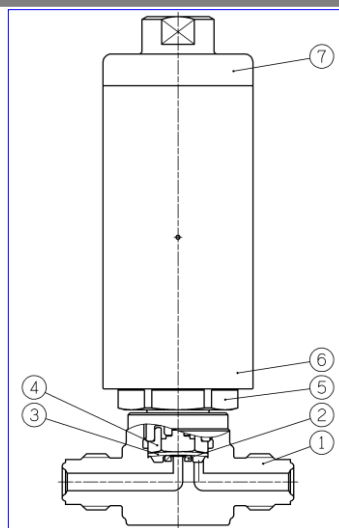
Value at VTF male connection*valve open

(※4)

Test result under sealed with N2 gas of 16.2MPa.

Material of Main parts

	Parts Name	Material
①	Body	SUS316L
②	Disk	PCTFE
③	Diaphragm	Ni-Co alloy
④	Disphragm retainer	SUS630
⑤	Bonnet	SUS304
⑥	Casing	SUS304
⑦	Cover	A5056



Nomenclature

DVEK - ① ② - ③ - ④

Ex) DVEK - 4VM - NC - EP [1/4"VTF Male connection, Automatic Valve Normal close, Electro-polishing]

①	
Code	Size
4	1/4"

②	
Code	Connect'n
VM	VTF (M)
VF	VTF (F)
D	BI-Lok

③	
Code	Actuation
NC	Normal Close

④	
Code	Inner Finishing
EP	Electro-polising(Less Ra0.18)
BA	Mechanical-polising(Less Ra0.8)

Table of Dimensions

		VTF(Male) (mm)		
		Type	Size	L
		DVEK-4VM	1/4"	58
		VTF(Female) (mm)		
		Type	Size	L
		DVEK-4VF	1/4"	70.6
		BI-Lok (mm)		
		Type	Size	L
		DVEK-4D	1/4"	64

WARNING

If you don't select and handle fittings, valves and related accessories in an adequate manner, it may damage human beings and applicable systems.
 Within the responsibility and authorization of users and piping designers, fittings, valves and related accessories shall be adequately selected, assembled, used and maintained based on the applicable conditions and product conformity to the system to be applied.
 Please read carefully our operation manual and feel free to contact with Ihara if you have any question or request.



IHARA SCIENCE CORPORATION

URL: <http://www.ihara-sc.co.jp>

Head office : 3-11-3, Takanawa, Minato-Ku, Tokyo, Japan 108-0074

Tel: +81-(0)3-6721-6981

Fax: +81-(0)3-6721-6991