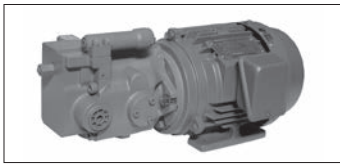


M Series Motor Pumps



Features

- These are motor pumps that integrate a V series piston pump and an electric motor in one body.

Nomenclature

● Pressure compensator control

※ - **M** ※ ※ **A** ※ ※ - ※ ※ - ※ ※ - ※ ※ - ※ ※ **E**
 1 2 3 4 5 15 17 12 16 18 19 20

● Combination control (pressure feedback method)

※ - **M** ※ ※ **C** ※ ※ **H X** - ※ ※ - ※ ※ - ※ ※ - ※ ※ **E**
 1 2 3 4 7 8 13 15 17 12 16 18 19 20

● Combination control (solenoid operated method)

※ - **M** ※ ※ **C** ※ ※ **J X** - ※ ※ - ※ ※ - ※ ※ - ※ ※ **E**
 1 2 3 4 7 8 13 14 15 17 12 16 18 19 20

● Dual pressure control

※ - **M** ※ ※ **D** ※ ※ ※ **X** - ※ ※ - ※ ※ - ※ ※ - ※ ※ **E**
 1 2 3 4 9 10 14 15 17 12 16 18 19 20

● Power-match control

※ - **M** ※ ※ **SA** ※ ※ ※ - ※ ※ - ※ ※ - ※ ※ **E**
 1 2 3 4 6 11 15 12 16 18 19 20

1 Applicable fluid code (Refer to Page B-1 for the applicable models)*1

No designation: Petroleum-based hydraulic fluid
 W: Water-glycol hydraulic fluid F: Phosphate ester hydraulic fluid

2 Model No. M: M series motor pump

3 Pump capacity

8: V 8 (8.0 cm³/rev) 15: V15 (14.8 cm³/rev)
 23: V23 (23.0 cm³/rev) 38: V38 (37.7 cm³/rev)

4 Control method I (Refer to Page B-1 for the applicable models)

A: Pressure compensator control C: Combination control
 D: Dual pressure control SA: Power-match control

5 6 Pressure adjustment range (See the pressure adjustment range table)

7 9 Low pressure adjustment range (See the pressure adjustment range table)

8 10 High pressure adjustment range (See the pressure adjustment range table)

11 FC valve differential pressure

A: 0.7 MPa { 7 kgf/cm²} B: 1.4 MPa {14 kgf/cm²}
 C: 2.1 MPa {21 kgf/cm²}

12 Motor output code (See the motor specification table)

13 Control method II

H: Pressure feedback method J: Solenoid operated method

14 Voltage code for the solenoid valve

A: AC 100 V (50/60 Hz), AC 110 V (60 Hz)
 B: AC 200 V (50/60 Hz), AC 220 V (60 Hz)
 N: DC 12 V P: DC 24 V

15 Piping direction (Refer to Page B-1 for the applicable models)

No designation: Axial port X: Side port
 Y :Suction port: Flange
 Discharge port: Taper pipe threads*2

16 Design No. (The design No. is subject to change)*3

60: Pump model M8 (50 when 12 Motor output code = 05)
 100: Pump model M15
 70: Pump model M23
 80: Pump model M38

The design number has increased by 10 due to the motor high efficiency restrictions took effect in April 2015.

17 Control method III (Refer to Page B-1 for the applicable models)

No designation: Without remote control system
 RC: With remote control system

18 Voltage specifications*4

1: 200 V (50/60 Hz), 220 V (60 Hz)
 4: 400 V (50/60 Hz), 440 V (60 Hz)

19 Terminal box position*4

No code: Top
 R: Right (viewed from pump side)

20 Paint color*4 E: DAIKIN standard colors

Note: *1 In case of "W" (water-glycol hydraulic fluid), the pressure adjustment range is limited up to code "2".

*2 When "Y" is set for 15 Piping direction, the settings are as follows: 1 Applicable fluid code = No designation (petroleum-based hydraulic oil), 4 Control method I = A, 5 Pressure adjustment range = 1, 12 Motor output code = 1, 2, 3, 5.

*3 Refer to Pages B-11 to 17 for information on forward/backward compatibility.

*4 This is only indicated for optional specifications (when 18 Voltage specifications is set to "4" or 19 Terminal box position is set to "R".)

Note: JR-G (T) 02 and JRP-G02 are recommended for the relief valve of the remote control system. If the vent port is blocked, the pressure compensator does not function and the pump operates at a fixed pressure.

Models and pressure adjustment range table

● **Pressure compensator control (4 = A)**

5 Pressure adjustment range

Code	Pressure adjustment range MPa {kgf/cm ² }	Without remote control system				With remote control system		
		M8	M15	M23	M38	M15	M23	M38
1	0.8 to 7 { 8 to 70 }	✓	✓	✓	✓	-	-	-
2	1.5 to 14 {15 to 140 }	-	✓	✓	✓	-	-	-
3	1.5 to 21 {15 to 210 }	-	-	-	-	✓	-	-
3	3.5 to 21 {35 to 210 }	-	✓	✓	✓	-	-	-
4	1.5 to 25 {15 to 250 }	-	-	-	-	-	✓	✓
4	3.5 to 25 {35 to 250 }	-	-	-	-	-	-	-

● **Combination control [4 = C, 13 = H (pressure feedback method) or 13 = J (solenoid operated method)]**

7 Low pressure adjustment range

Code	Pressure adjustment range MPa {kgf/cm ² }	Pressure feedback method			Solenoid operated method		
		M15	M23	M38	M15	M23	M38
1	1.5 to 7 {15 to 70 }	-	-	-	✓	✓	✓
1	2.5 to 7 {25 to 70 }	✓	✓	✓	-	-	-
2	1.5 to 14 {15 to 140 }	-	-	-	✓	✓	✓
2	2.5 to 14 {25 to 140 }	✓	✓	✓	-	-	-

8 High pressure adjustment range

Code	Pressure adjustment range MPa {kgf/cm ² }	Without remote control system						With remote control system					
		Pressure feedback method			Solenoid operated method			Pressure feedback method			Solenoid operated method		
		M15	M23	M38	M15	M23	M38	M15	M23	M38	M15	M23	M38
1	1.5 to 7 {15 to 70 }	-	-	-	✓	✓	✓	-	-	-	-	-	-
1	2.5 to 7 {25 to 70 }	✓	✓	✓	-	-	-	-	-	-	-	-	-
2	1.5 to 14 {15 to 140 }	-	-	-	✓	✓	✓	-	-	-	-	-	-
2	2.5 to 14 {25 to 140 }	✓	✓	✓	-	-	-	-	-	-	-	-	-
3	3.5 to 21 {35 to 210 }	✓	✓	✓	✓	✓	✓	✓	-	-	✓	-	-
4	3.5 to 25 {35 to 250 }	-	-	-	-	-	-	-	✓	✓	-	✓	✓

● **Dual pressure control (4 = D)**

9 Low pressure adjustment range

Code	Pressure adjustment range MPa {kgf/cm ² }	M15	M23	M38
1	1.5 to 7 {15 to 70 }	✓	✓	✓
2	1.5 to 14 {15 to 140 }	✓	✓	✓

Note: If both low and high pressure adjustment ranges are the 1st pattern, the pressure adjustment range becomes 0.8 to 7 MPa {8 to 70 kgf/cm²}.

10 High pressure adjustment range

Code	Pressure adjustment range MPa {kgf/cm ² }	Without remote control system			With remote control system		
		M15	M23	M38	M15	M23	M38
1	1.5 to 7 {15 to 70 }	✓	✓	✓	-	-	-
2	1.5 to 14 {15 to 140 }	✓	✓	✓	-	-	-
3	3.5 to 21 {35 to 210 }	✓	✓	✓	✓	-	-
4	3.5 to 25 {35 to 250 }	-	-	-	-	✓	✓

● **Power-match control (4 = SA)**

6 Pressure adjustment range

Code	Pressure adjustment range MPa {kgf/cm ² }	M15	M23	M38
1	0.8 to 7 { 8 to 70 }	✓	✓	✓
2	1.5 to 14 {15 to 140 }	✓	✓	✓
3	3.5 to 21 {35 to 210 }	✓	✓	✓

Contact Details

Before using the product, please check the guide pages at the front of this catalog.

Internet

<https://www.daikinpmc.com/en/>

For latest information, PDF catalogs and operation manuals

12: Motor output and specifications

Code	Output (kW) (Number of poles: 4P)	Motor rated ampere (A)			Motor starting current (A)			Applicable model			
		200 V (50 Hz)	200 V (60 Hz)	220 V (60 Hz)	200V (50Hz)	200V (60Hz)	220V (60Hz)	M8	M15	M23	M38
05	0.4	2.2	2.0	2.0	11.1	10.7	11.8	✓	-	-	-
1	0.75	4.2 (3.8)*1	3.6 (3.4)*1	3.6 (3.4)*1	28 (27.3)*1	25 (23.8)*1	28 (26.2)*1	✓	✓	-	-
2	1.5	6.8	6.4	6.0	46.6	41	45.1	✓	✓	-	-
3	2.2	10.6	9.4	9.2	96	81	89.1	-	✓	✓	✓
5	3.7	15.6	14.6	13.8	134	118	130	-	✓	✓	✓
7	5.5	23.4	21.4	20.6	200	166	183	-	-	✓	✓
10	7.5	30.8	28.6	27.4	264	218	240	-	-	-	✓

Note: *1 If terminal box position is set to "R", the value in parentheses () applies.

● Electric wiring

- Connect the power cable such that the phases at the pump motor and power supply sides are as shown to the right.

Check that the pressure rises at the pressure gauge.

If the motor rotates in the reverse direction, switch the connection between two phases among the three to correct the direction of rotation.

- Be sure to connect the ground terminal.

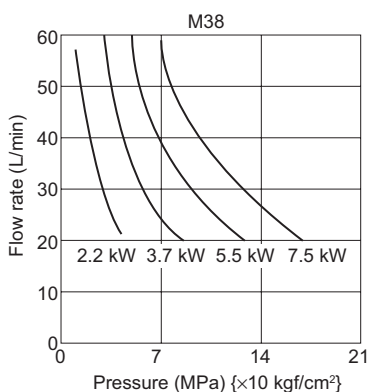
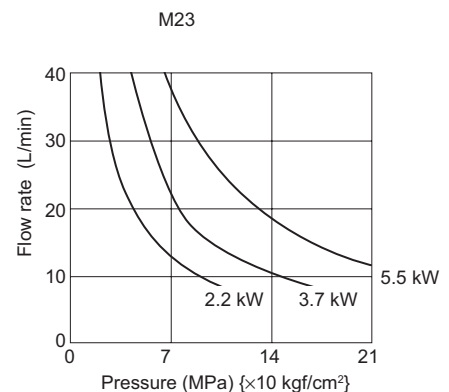
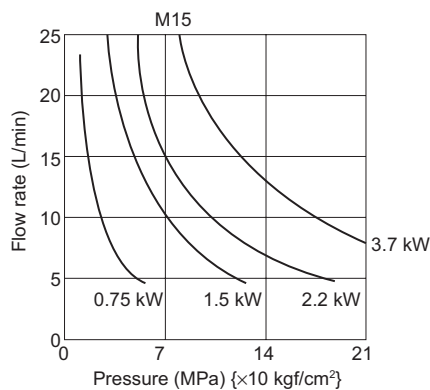
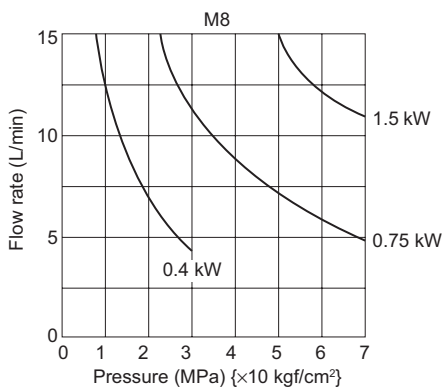
- Install a no-fuse breaker on the main power supply. In addition, install an earth leakage breaker.

- Products with outputs of 0.75 kW and greater are ones that comply with premium efficiency (IE3), and they tend to have a higher starting current value than products with the old design (IE1).

Depending on the model, the starting current will be up from a few percent to 50%, so pay attention to the design of the power supply system when replacing products of the old design.



Motor output characteristics selection curves



- Products with outputs of 0.75 kW and greater are ones that comply with premium efficiency (IE3), and have 1 to 2% greater flow rate than products with the old design (IE1), so pay attention to the change in speed when replacing products of the old design.

Contact Details

Before using the product, please check the guide pages at the front of this catalog.

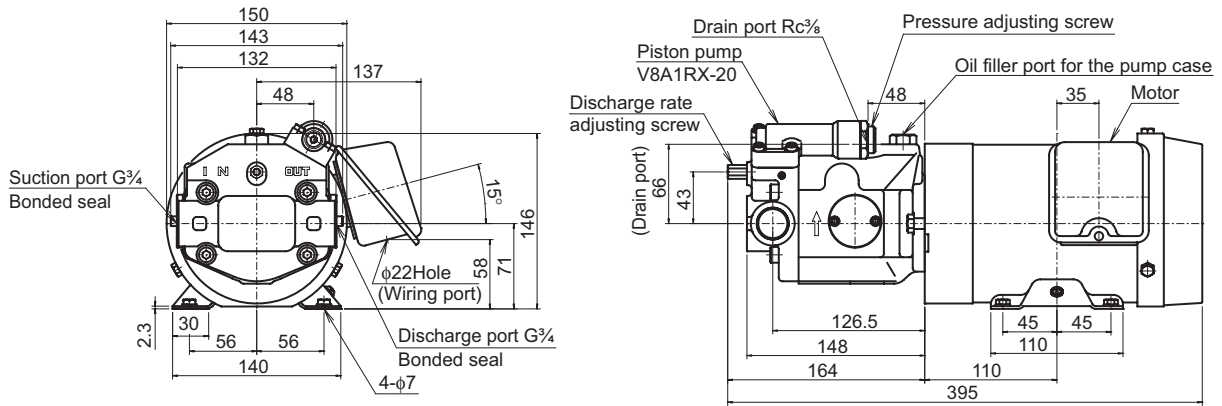
Internet

<https://www.daikinpmc.com/en/>

For latest information, PDF catalogs and operation manuals

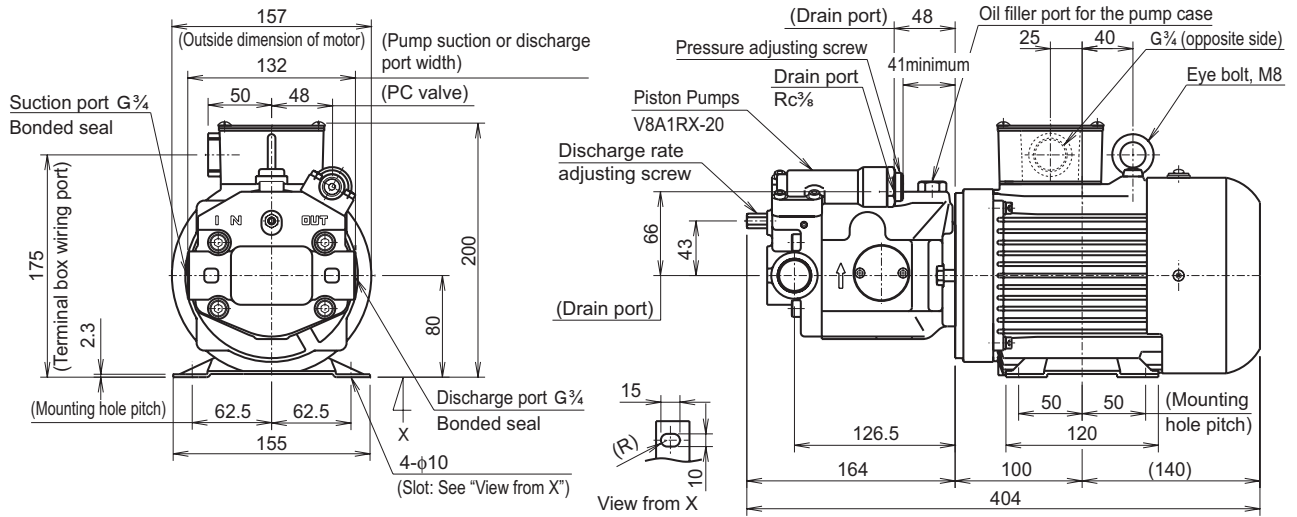
External dimension diagram

M8A1X-05-50



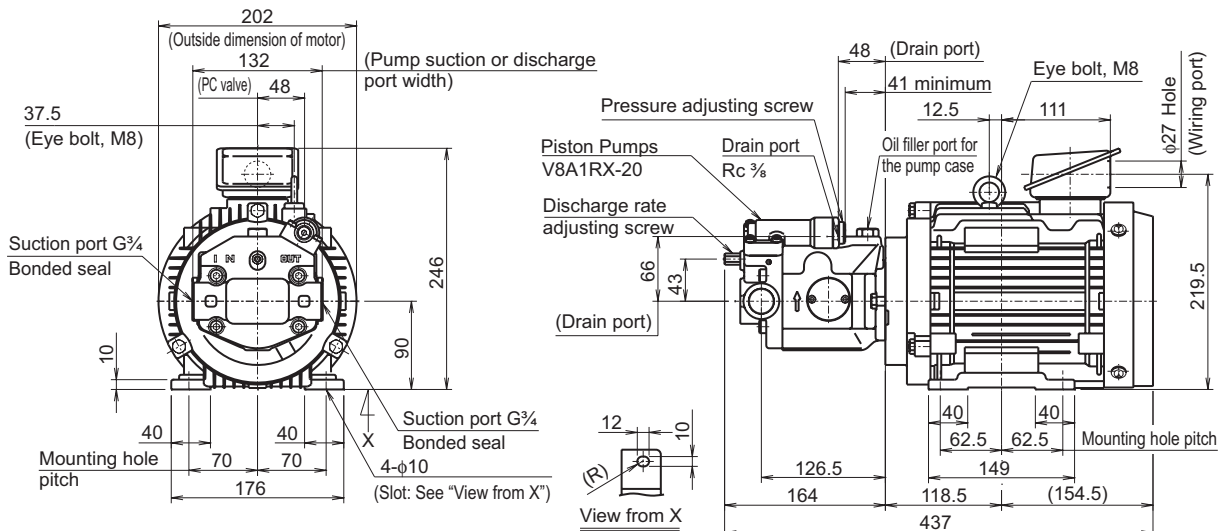
Mass 18 kg

M8A1X-1-60



Mass 23 kg

M8A1X-2-60



Mass 33 kg

Contact Details

Before using the product, please check the guide pages at the front of this catalog.

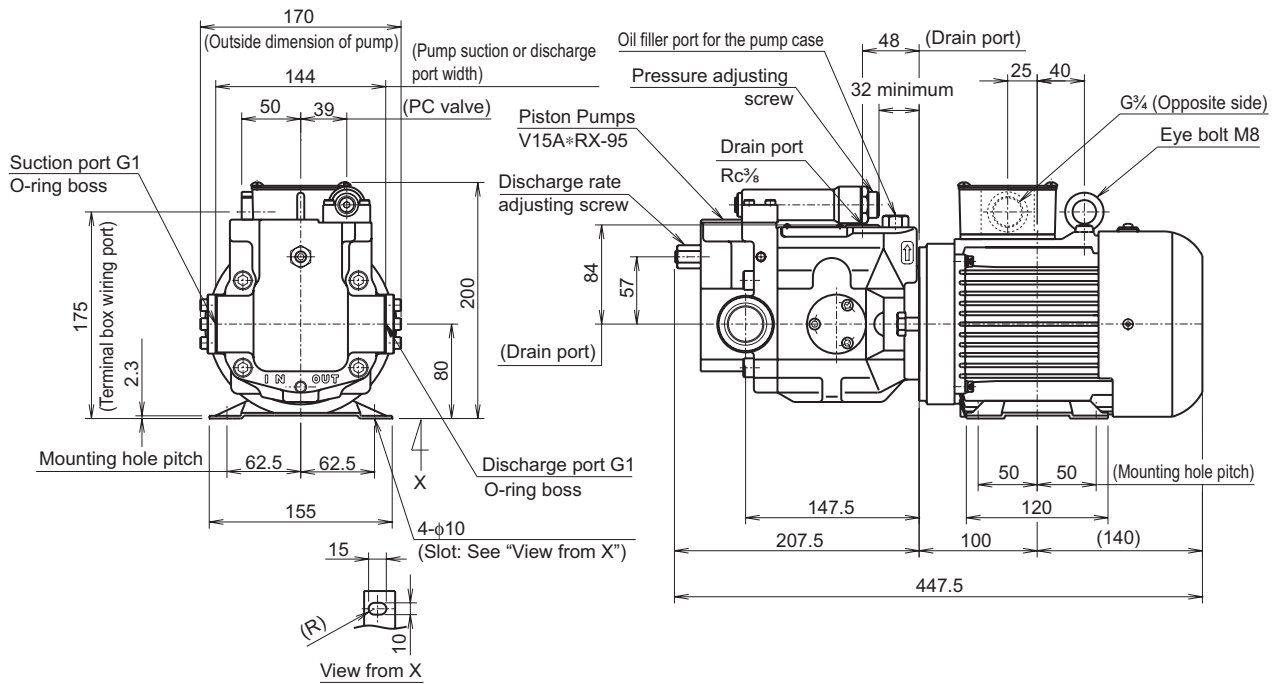
Internet

<https://www.daikinpmc.com/en/>

For latest information, PDF catalogs and operation manuals

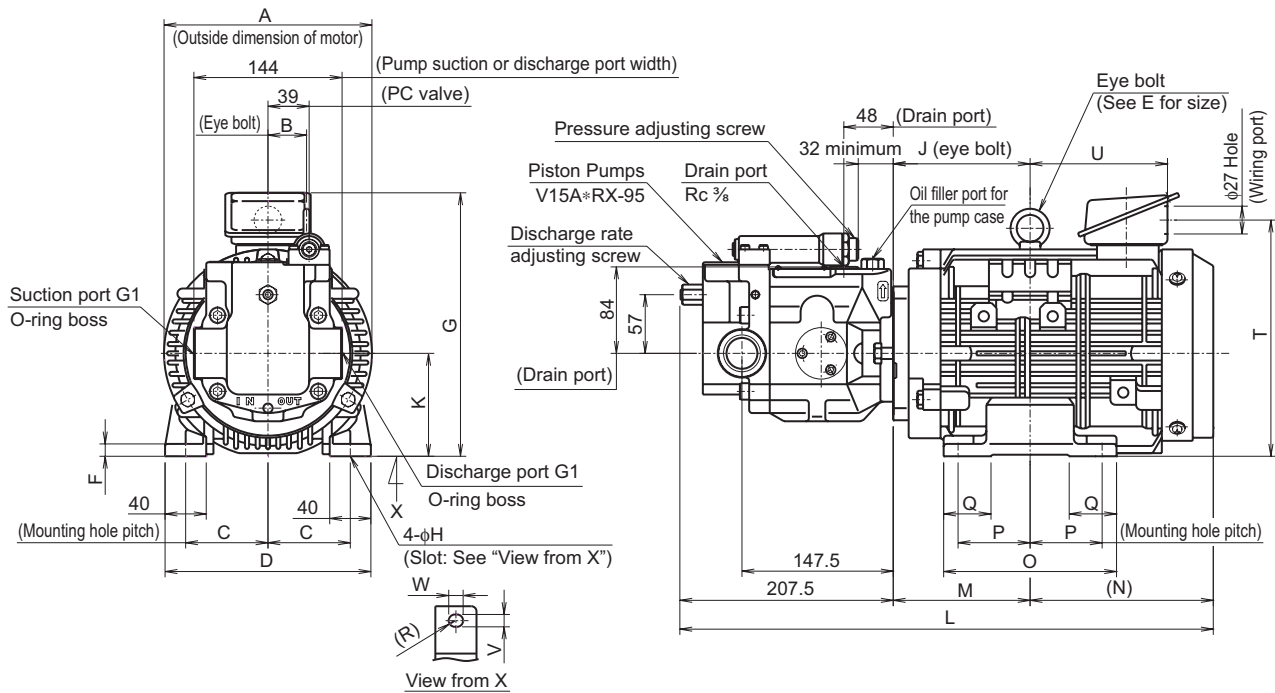
External dimension diagram

M15A×X-1-100



Mass 29 kg

M15A×X-×-100



Motor pump model code	A	B	C	D	E	F	G	H	J	K	L	M	N	O	P	Q	T	U	V	W	Motor output (kW)	Mass (kg)
M15A×X-2-100	202	37.5	70	176	M8	10	246	10	106	90	480.5	118.5	154.5	149	62.5	40	219.5	111	10	12	1.5	39
M15A×X-3-100	202	37.5	80	200	M10	12	256	12	133	100	518.5	133	178	168	70	46	229.5	134.5	12	14	2.2	47
M15A×X-5-100	243	47	95	220	M10	12	298.5	12	140	112	533.5	140	186	168	70	44	263.5	137	12	14	3.7	60

Contact Details

Before using the product, please check the guide pages at the front of this catalog.

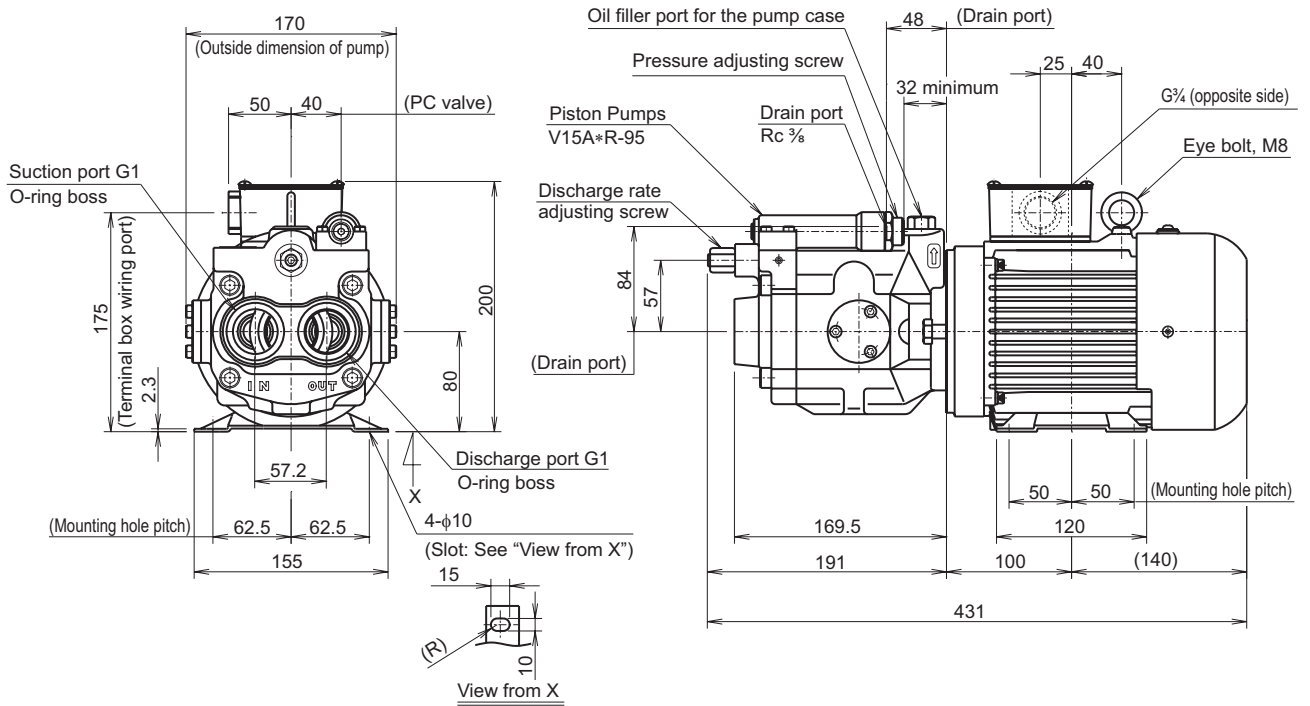
Internet

<https://www.daikinpmc.com/en/>

For latest information, PDF catalogs and operation manuals

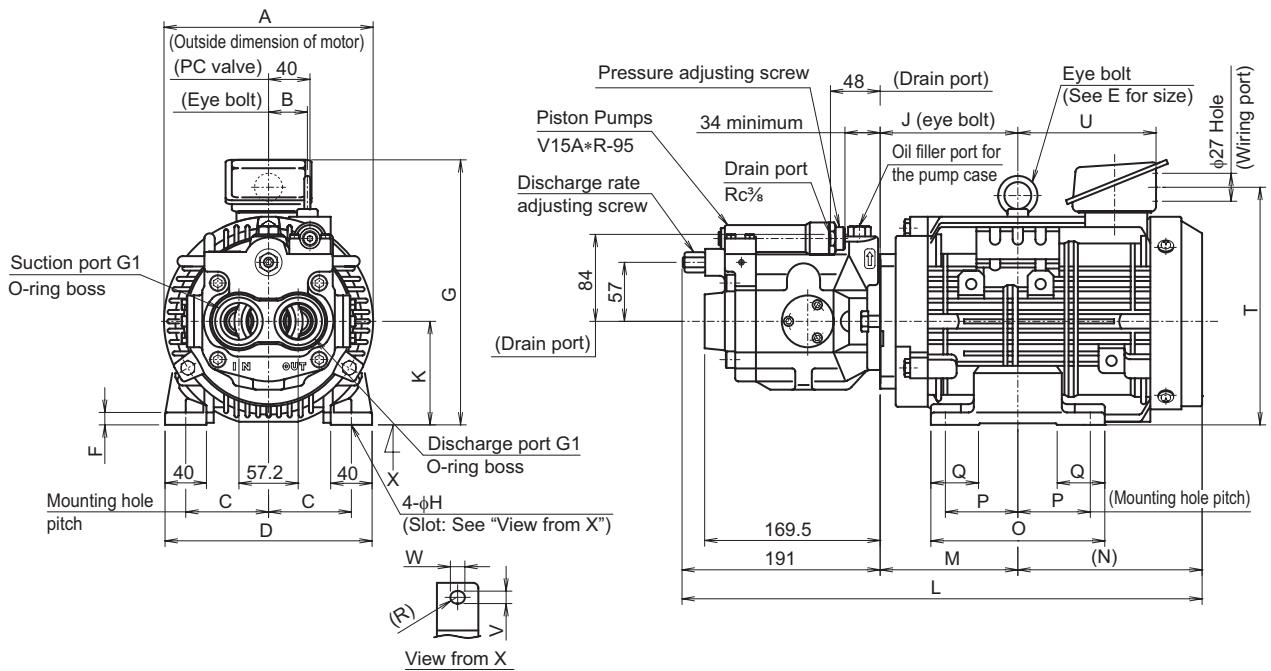
External dimension diagram

M15A※-1-100



Mass 27 kg

M15A※-※-100



Motor pump model code	A	B	C	D	E	F	G	H	J	K	L	M	N	O	P	Q	T	U	V	W	Motor output (kW)	Mass (kg)
M15A※-2-100	202	37.5	70	176	M8	10	246	10	106	90	464	118.5	154.5	149	62.5	40	219.5	111	10	12	1.5	37
M15A※-3-100	202	37.5	80	200	M10	12	256	12	133	100	502	133	178	168	70	46	229.5	134.5	12	14	2.2	45
M15A※-5-100	243	47	95	220	M10	12	298.5	12	140	112	517	140	186	168	70	44	263.5	137	12	14	3.7	58

Contact Details

Before using the product, please check the guide pages at the front of this catalog.

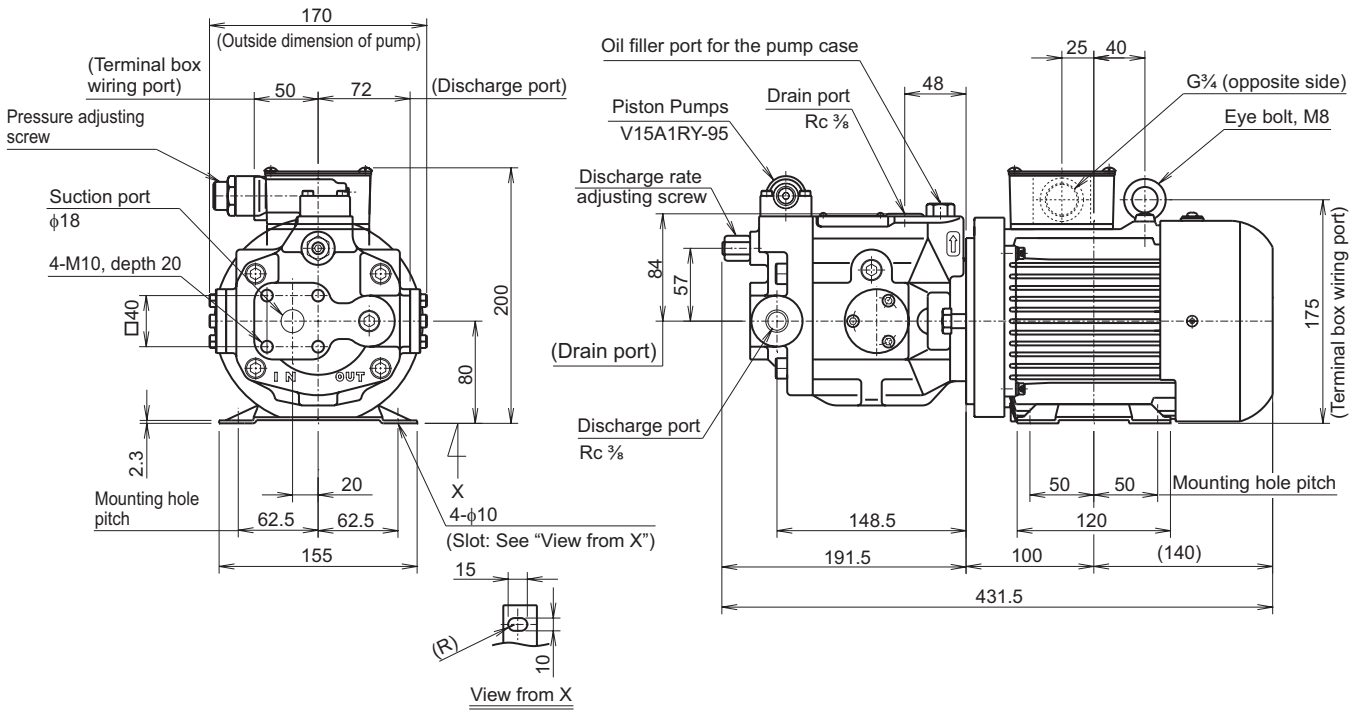
Internet

<https://www.daikinpmc.com/en/>

For latest information, PDF catalogs and operation manuals

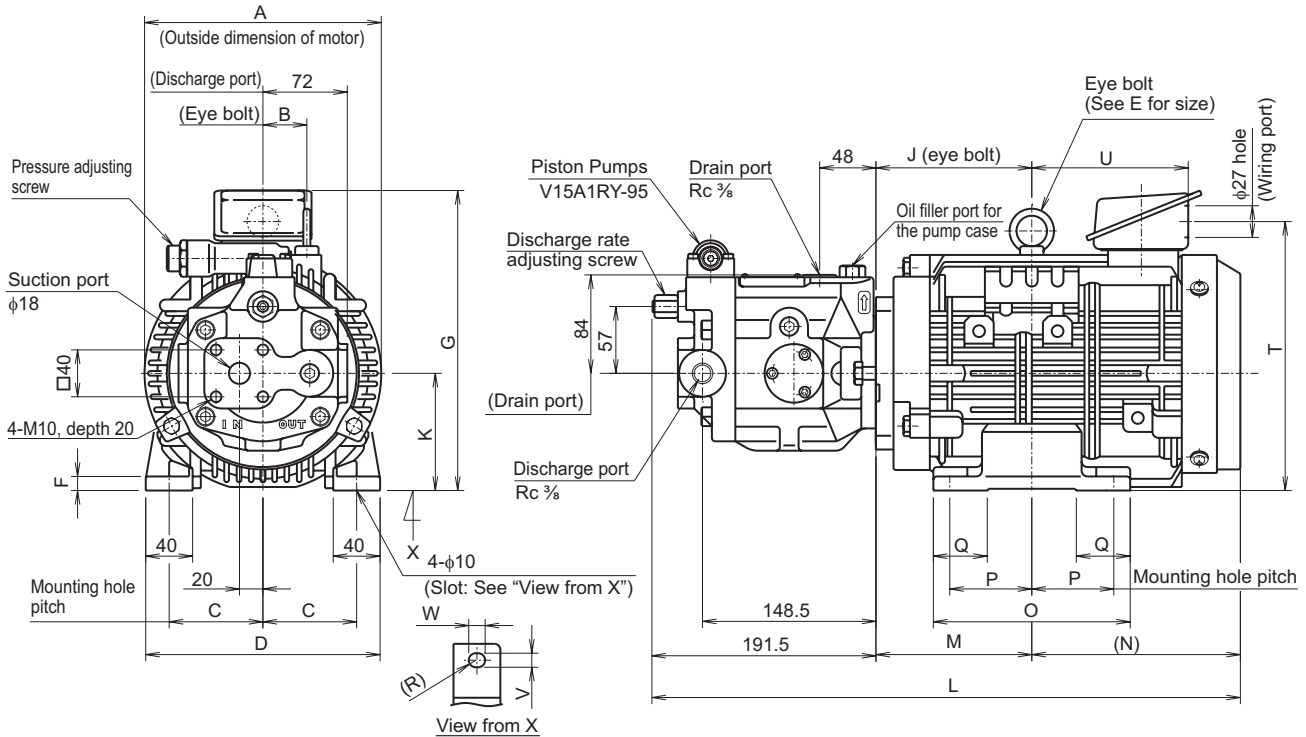
External dimension diagram

M15A1Y-1-100



Mass 28 kg

M15A1Y- \times -100



Motor pump model code	A	B	C	D	E	F	G	H	J	K	L	M	N	O	P	Q	T	U	V	W	Motor output (kW)	Mass (kg)
M15A1Y-2-100	202	37.5	70	176	M8	10	246	10	106	90	464.5	118.5	154.5	149	62.5	40	219.5	111	10	12	1.5	38
M15A1Y-3-100	202	37.5	80	200	M10	12	256	12	133	100	502.5	133	178	168	70	46	229.5	134.5	12	14	2.2	46
M15A1Y-5-100	243	47	95	220	M10	12	298.5	12	140	112	517.5	140	186	168	70	44	263.5	137	12	14	3.7	59

Contact Details

Before using the product, please check the guide pages at the front of this catalog.

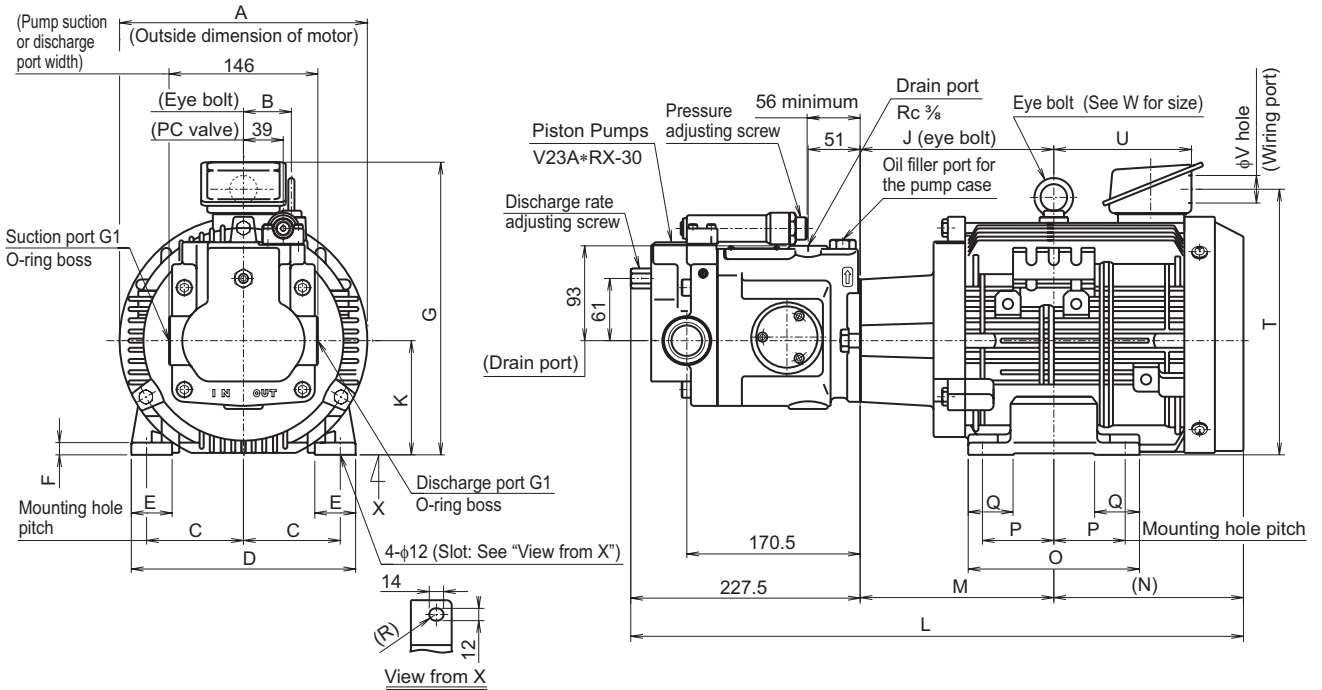
Internet

<https://www.daikinpmc.com/en/>

For latest information, PDF catalogs and operation manuals

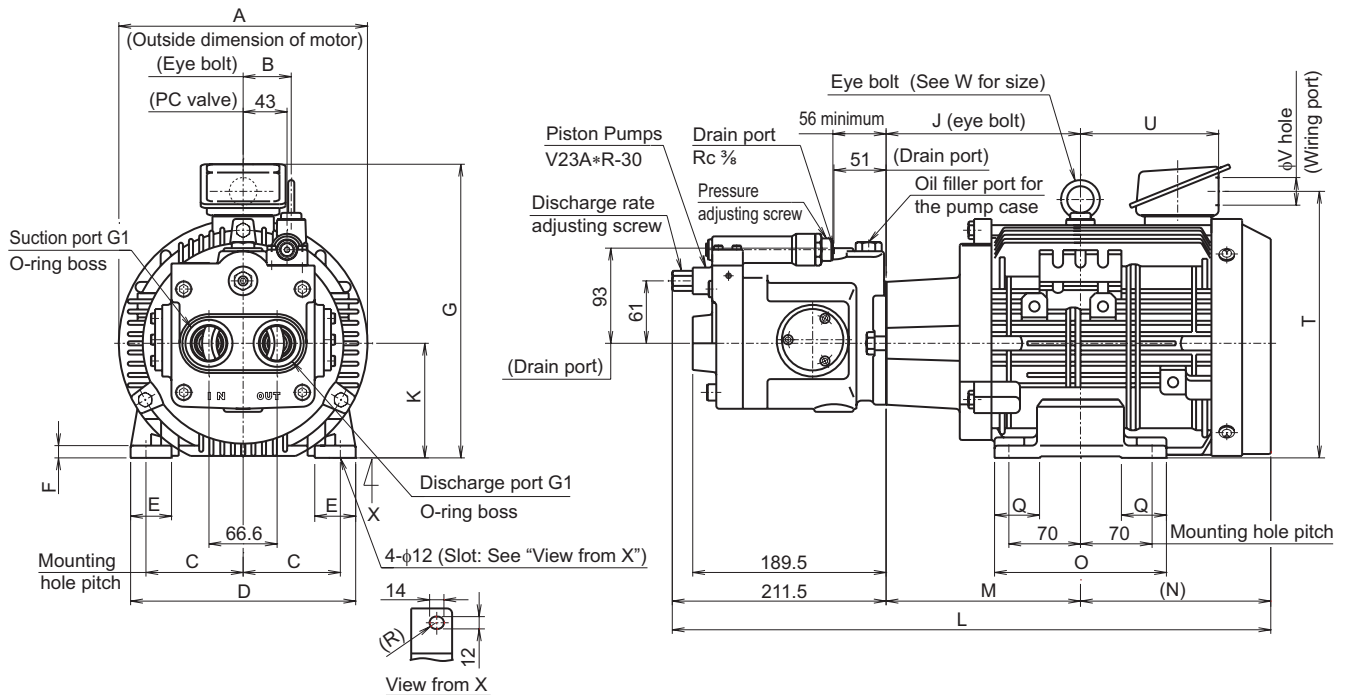
External dimension diagram

M23A×X-×-70



Motor pump model code	A	B	C	D	E	F	G	J	K	L	M	N	O	P	Q	T	U	V	W	Motor output (kW)	Mass (kg)
M23A×X-3-70	202	37.5	80	200	40	12	256	183	100	588.5	183	178	168	70	46	229.5	134.5	27	M10	2.2	58
M23A×X-5-70	243	47	95	220	40	12	298.5	190	112	603.5	190	186	168	70	44	263.5	137	27	M10	3.7	69
M23A×X-7-70	285	56.5	108	260	50	15	344	169.5	132	653	215	210.5	175	70	50	313.5	150	35	M12	5.5	91

M23A×-×-70



Motor pump model code	A	B	C	D	E	F	G	J	K	L	M	N	O	Q	T	U	V	W	Motor output (kW)	Mass (kg)
M23A×-3-70	202	37.5	80	200	40	12	256	183	100	572.5	183	178	168	46	229.5	134.5	27	M10	2.2	54
M23A×-5-70	243	47	95	220	40	12	298.5	190	112	587.5	190	186	168	44	263.5	137	27	M10	3.7	65
M23A×-7-70	285	56.5	108	260	50	15	344	169.5	132	637	215	210.5	175	50	313.5	150	35	M12	5.5	87

Contact Details

Before using the product, please check the guide pages at the front of this catalog.

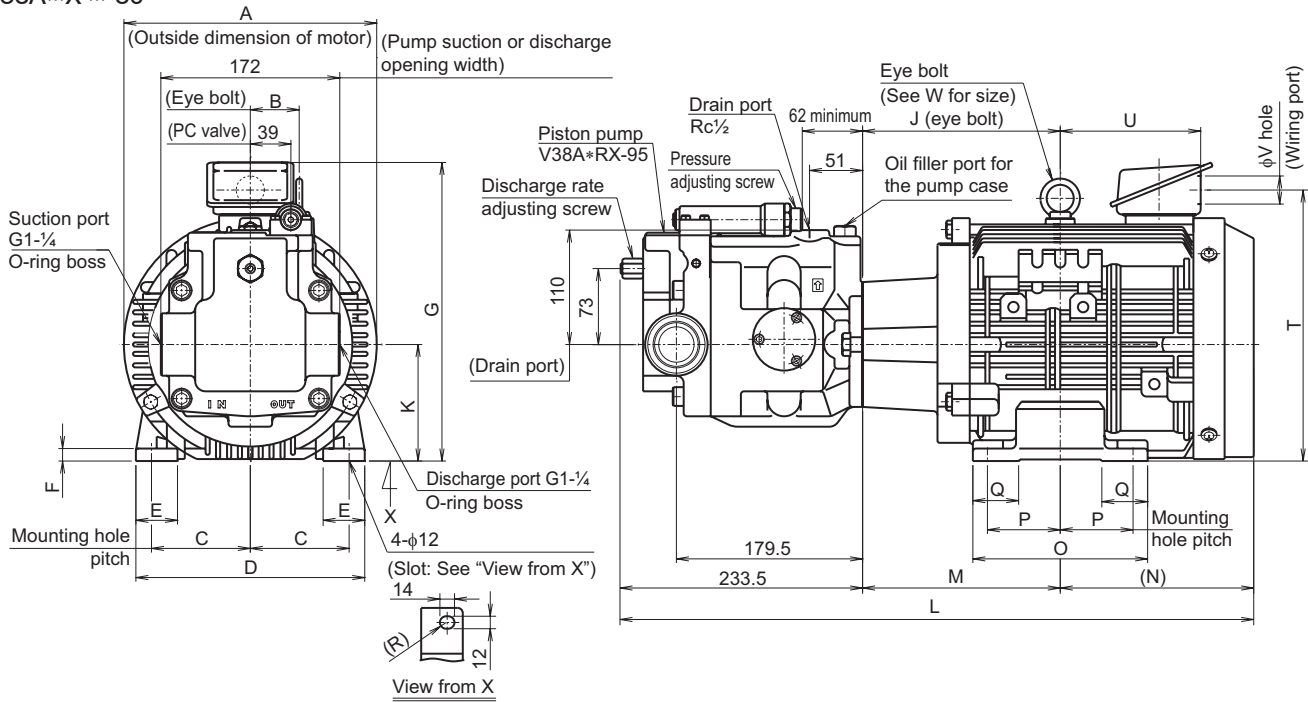
Internet

<https://www.daikinpmc.com/en/>

For latest information, PDF catalogs and operation manuals

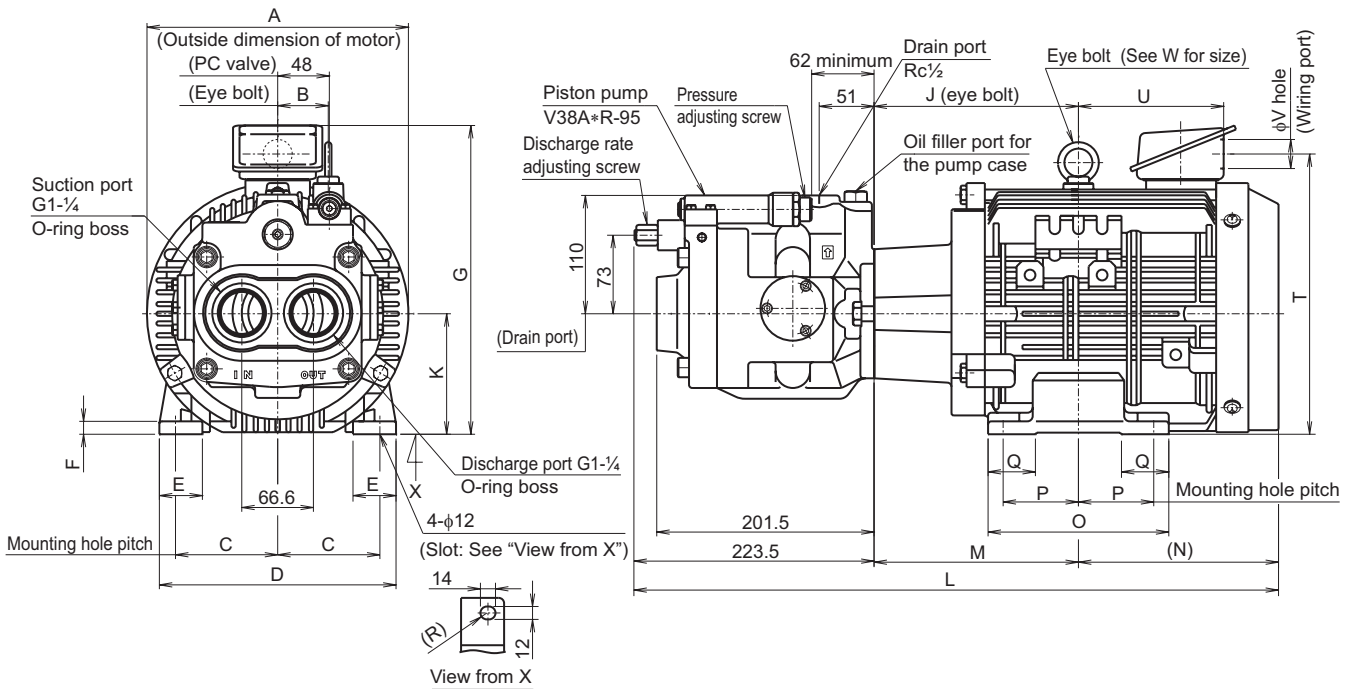
External dimension diagram

M38A×X-×-80



Motor pump model code	A	B	C	D	E	F	G	J	K	L	M	N	O	P	Q	T	U	V	W	Motor output (kW)	Mass (kg)
M38A×X-3-80	202	37.5	80	200	40	12	256	183	100	594.5	183	178	168	70	46	229.5	134.5	27	M10	2.2	62
M38A×X-5-80	243	47	95	220	40	12	298.5	190	112	609.5	190	186	168	70	44	263.5	137	27	M10	3.7	73
M38A×X-7-80	285	56.5	108	260	50	15	344	169.5	132	659	215	210.5	175	70	50	313.5	150	35	M12	5.5	95
M38A×X-10-80	285	56.5	108	260	50	15	344	207.5	132	697	234	229.5	213	89	50	313.5	169	35	M12	7.5	106

M38A×-×-80



Motor pump model code	A	B	C	D	E	F	G	J	K	L	M	N	O	P	Q	T	U	V	W	Motor output (kW)	Mass (kg)
M38A×-3-80	202	37.5	80	200	40	12	256	183	100	584.5	183	178	168	70	46	229.5	134.5	27	M10	2.2	60
M38A×-5-80	243	47	95	220	40	12	298.5	190	112	599.5	190	186	168	70	44	263.5	137	27	M10	3.7	71
M38A×-7-80	285	56.5	108	260	50	15	344	169.5	132	649	215	210.5	175	70	50	313.5	150	35	M12	5.5	93
M38A×-10-80	285	56.5	108	260	50	15	344	207.5	132	687	234	229.5	213	89	50	313.5	169	35	M12	7.5	104

Compatibility of products subject to model changes

● Motor pump (M8A1X)

Model code of currently used product	Installation compatibility with current design (No. 50 or No. 60)	Model code of pump equipped	Procurement code when replacing the pump alone	Procurement code when replacing the motor alone	Notes
M8A1X-05-10	Compatible	V8A1RXT-10	V8A1RXT-20	-	*1
M8A1X-05-20	Compatible	V8A1RX-10	V8A1RX-20	SP1967-041RE	
M8A1X-05-40	Compatible	V8A1RX-20			
M8A1X-1-10	Compatible	V8A1RXT-10	V8A1RXT-20	-	*1
M8A1X-1-20	Compatible	V8A1RX-10	V8A1RX-20	PP03832-1E	
M8A1X-1-30	Compatible				
M8A1X-1-35	Compatible	V8A1RX-20			
M8A1X-1-40	Compatible				
M8A1X-1-50	Compatible				
M8A1X-2-10	Compatible	V8A1RXT-10	V8A1RXT-20	-	*1
M8A1X-2-20	Compatible	V8A1RX-10	V8A1RX-20	PP03817-151E	
M8A1X-2-40	Compatible	V8A1RX-20			
M8A1X-2-50	Compatible				

The compatibility is indicated in the table as follows:

Compatible: Installation compatibility provided (The external dimensions differ.)

Note: *1 Design No. 10 uses a tongue shaft pump and, accordingly, a tongue shaft type motor is used. Since the motor is not compatible with the motor (key shaft type) used in the current design, it is not possible to replace the motor alone. When replacing the pump alone, use V8A1RXT-20.

Note: The motor and pump are directly coupled. If it is difficult to decouple them, replace them as a set.

<Time line of design numbers>

(✓: Models with actual production history)

Design No.	M8A1X-05	M8A1X-1	M8A1X-2	Details of changes from the previous design
10	✓	✓	✓	
20	✓	✓	✓	Pump changed (from tongue shaft to key shaft), motor changed (to key shaft type)
30	-	✓	-	Motor changed (installation compatibility provided)
35	-	✓	-	Pump design changed: 10 → 20
40	✓	✓	✓	M8A1X-05, -2: Pump design changed: 10 → 20
				M8A1X-1: Motor changed (installation compatibility provided)
50	✓	✓	✓	Motor changed (installation compatibility provided)
60	-	✓	✓	Motor changed (IE1→IE3)

Refer to Page A-68 for the time line of pump design numbers.

Compatibility of products subject to model changes

● Motor pump (M15A※)

Model code of currently used product	Installation compatibility with current design (No. 100)	Design number of pump equipped	Procurement code when replacing the pump alone	Procurement code when replacing the motor alone	Notes
M15A※-1-20	Not compatible	10	V15A※R-95	PP03834-1E	*1
M15A※-1-30	Partly compatible	40			
M15A※-1-40	Compatible	80			
M15A※-1-45	Compatible	85			
M15A※-1-50	Compatible				
M15A※-1-60	Compatible	95			
M15A※-1-90	Compatible				
M15A※-2-20	Not compatible	10	V15A※R-95	PP03818-151E	*1
M15A※-2-30	Partly compatible	40			
M15A※-2-40	Compatible	80			
M15A※-2-45	Compatible	85			
M15A※-2-50	Compatible				
M15A※-2-60	Compatible	95			
M15A※-2-65	Compatible	85			
M15A※-2-70	Compatible	95			
M15A※-2-90	Compatible				
M15A※-3-20	Not compatible	10	V15A※R-95	PP03818-221E	*1
M15A※-3-30	Partly compatible	40			
M15A※-3-40	Compatible	80			
M15A※-3-45	Compatible	85			
M15A※-3-50	Compatible				
M15A※-3-60	Compatible	95			
M15A※-3-90	Compatible				
M15A※-5-20	Not compatible	10	V15A※R-95	PP03818-371E	*1
M15A※-5-30	Partly compatible	40			
M15A※-5-40	Compatible	80			
M15A※-5-45	Compatible	85			
M15A※-5-50	Compatible				
M15A※-5-60	Compatible	95			
M15A※-5-80	Compatible				
M15A※-5-90	Compatible				

The compatibility is indicated in the table as follows:

Compatible: Installation compatibility provided (The external dimensions differ.)

Partly compatible: Installation compatibility provided (Some piping needs to be corrected.)

Not compatible: Installation compatibility not provided

Note: *1 Pump designs prior to design No. 40 use different sealing methods to the current design and therefore the piping needs to be changed.

Previous: Bonded seal → Current: O-ring boss

Note: The motor and pump are directly coupled. If it is difficult to decouple them, replace them as a set.

<Time line of design numbers>

(✓: Models with actual production history)

Design No.	M15A※-1	M15A※-2	M15A※-3	M15A※-5	Details of changes from the previous design
20	✓	✓	✓	✓	
30	✓	✓	✓	✓	Pump design changed: 10 → 40, motor changed
40	✓	✓	✓	✓	Pump design changed: 40 → 80, motor changed (installation compatibility provided)
45	✓	✓	✓	✓	Pump design changed: 80 → 85
50	✓	✓	✓	✓	Motor changed (installation compatibility provided)
60	✓	✓	✓	✓	Pump design changed: 85 → 95
65	–	✓	–	–	Motor changed (installation compatibility provided), pump design No. 85 adopted
70	–	✓	–	–	Pump design changed: 85 → 95, motor changed (installation compatibility provided)
80	–	–	–	✓	Motor changed (installation compatibility provided)
90	✓	✓	✓	✓	Motor changed (installation compatibility provided)
100	✓	✓	✓	✓	Motor change (1E1→1E3)

Refer to Page A-69 for the time line of pump design numbers.

Compatibility of products subject to model changes

● Motor pump (M15A×X)

Model code of currently used product	Installation compatibility with current design (No. 100)	Design number of pump equipped	Procurement code when replacing the pump alone	Procurement code when replacing the motor alone	Notes
M15A×X-1-20	Not compatible	10	V15A×RX-95	PP03834-1E	*1
M15A×X-1-30	Partly compatible	40			
M15A×X-1-40	Compatible	80			
M15A×X-1-45	Compatible	85			
M15A×X-1-50	Compatible				
M15A×X-1-60	Compatible	95			
M15A×X-1-90	Compatible				
M15A×X-2-20	Not compatible	10	V15A×RX-95	PP03818-151E	*1
M15A×X-2-30	Partly compatible	40			
M15A×X-2-40	Compatible	80			
M15A×X-2-45	Compatible	85			
M15A×X-2-50	Compatible				
M15A×X-2-60	Compatible	95			
M15A×X-2-65	Compatible	85			
M15A×X-2-70	Compatible	95			
M15A×X-2-90	Compatible				
M15A×X-3-20	Not compatible	10	V15A×RX-95	PP03818-221E	*1
M15A×X-3-30	Partly compatible	40			
M15A×X-3-40	Compatible	80			
M15A×X-3-45	Compatible	85			
M15A×X-3-50	Compatible				
M15A×X-3-60	Compatible	95			
M15A×X-3-90	Compatible				
M15A×X-5-20	Not compatible	10	V15A×RX-95	PP03818-371E	*1
M15A×X-5-30	Partly compatible	40			
M15A×X-5-40	Compatible	80			
M15A×X-5-45	Compatible	85			
M15A×X-5-50	Compatible				
M15A×X-5-60	Compatible	95			
M15A×X-5-80	Compatible				
M15A×X-5-90	Compatible				

The compatibility is indicated in the table as follows:

Compatible: Installation compatibility provided (The external dimensions differ.)

Partly compatible: Installation compatibility provided (Some piping needs to be corrected.)

Not compatible: Installation compatibility not provided

Note: *1 Pump designs prior to design No. 40 use different sealing methods to the current design and therefore the piping needs to be changed.

Previous: Bonded seal → Current: O-ring

Note: The motor and pump are directly coupled. If it is difficult to decouple them, replace them as a set.

<Time line of design numbers>

(✓: Models with actual production history)

Design No.	M15A×X-1	M15A×X-2	M15A×X-3	M15A×X-5	Details of changes from the previous design
20	✓	✓	✓	✓	
30	✓	✓	✓	✓	Pump design changed: 10 → 40, motor changed
40	✓	✓	✓	✓	Pump design changed: 40 → 80, motor changed (installation compatibility provided)
45	✓	✓	✓	✓	Pump design changed: 80 → 85
50	✓	✓	✓	✓	Motor changed (installation compatibility provided)
60	✓	✓	✓	✓	Pump design changed: 85 → 95
65	–	✓	–	–	Motor changed (installation compatibility provided), pump design No. 85 adopted
70	–	✓	–	–	Pump design changed: 85 → 95, motor changed (installation compatibility provided)
80	–	–	–	✓	Motor changed (installation compatibility provided)
90	✓	✓	✓	✓	Motor changed (installation compatibility provided)
100	✓	✓	✓	✓	Motor change (IE1→IE3)

Refer to Page A-69 for the time line of pump design numbers.

Contact Details

Before using the product, please check the guide pages at the front of this catalog.

Internet

<https://www.daikinpmc.com/en/>

For latest information, PDF catalogs and operation manuals

Compatibility of products subject to model changes

● Motor pump (M15A1Y)

Model code of currently used product	Installation compatibility with current design (No. 100)	Design number of pump equipped	Procurement code when replacing the pump alone	Procurement code when replacing the motor alone	Notes
M15A1Y-1-45	Compatible	85	V15A1RY-95	PP03834-1E	
M15A1Y-1-50	Compatible				
M15A1Y-1-60	Compatible	95			
M15A1Y-1-90	Compatible				
M15A1Y-2-45	Compatible	85	V15A1RY-95	PP03818-151E	
M15A1Y-2-50	Compatible				
M15A1Y-2-60	Compatible	95			
M15A1Y-2-65	Compatible	85			
M15A1Y-2-70	Compatible	95			
M15A1Y-2-90	Compatible				
M15A1Y-3-45	Compatible	85	V15A1RY-95	PP03818-221E	
M15A1Y-3-50	Compatible				
M15A1Y-3-60	Compatible	95			
M15A1Y-3-90	Compatible				
M15A1Y-5-45	Compatible	85	V15A1RY-95	PP03818-371E	
M15A1Y-5-50	Compatible				
M15A1Y-5-60	Compatible	95			
M15A1Y-5-80	Compatible				
M15A1Y-5-90	Compatible				

The compatibility is indicated in the table as follows:

Compatible: Installation compatibility provided (The external dimensions differ.)

Note: The motor and pump are directly coupled. If it is difficult to decouple them, replace them as a set.

<Time line of design numbers>

(✓: Models with actual production history)

Design No.	M15A×Y-1	M15A×Y-2	M15A×Y-3	M15A×Y-5	Details of changes from the previous design
45	✓	✓	✓	✓	
50	✓	✓	✓	✓	Motor changed (installation compatibility provided)
60	✓	✓	✓	✓	Pump design changed: 85 → 95
65	–	✓	–	–	Motor changed (installation compatibility provided), pump design No. 85 adopted
70	–	✓	–	–	Pump design changed: 85 → 95, motor changed (installation compatibility provided)
80	–	–	–	✓	Motor changed (installation compatibility provided)
90	✓	✓	✓	✓	Motor changed (installation compatibility provided)
100	✓	✓	✓	✓	Motor change (IE1→IE3)

Refer to Page A-69 for the time line of pump design numbers.

Compatibility of products subject to model changes

● Motor pump (M23A※)

Model code of currently used product	Installation compatibility with current design (No. 70)	Design number of pump equipped	Procurement code when replacing the pump alone	Procurement code when replacing the motor alone	Notes	
M23A※-3-30	Partly compatible	20	V23A※R-30	PP03819-221E	*1	
M23A※-3-40	Compatible	30			V23A※R-30	PP03819-221E
M23A※-3-50	Compatible					
M23A※-3-60	Compatible					
M23A※-5-30	Partly compatible	20	V23A※R-30	PP03819-371E	*1	
M23A※-5-40	Compatible	30			V23A※R-30	PP03819-371E
M23A※-5-50	Compatible					
M23A※-5-60	Compatible					
M23A※-7-30	Partly compatible	20	V23A※R-30	PP03819-551E	*1	
M23A※-7-40	Compatible	30			V23A※R-30	PP03819-551E
M23A※-7-60	Compatible					
Model code of currently used product	Installation compatibility with current design (No. 70)	Design number of pump equipped	Procurement code when replacing the pump alone	Procurement code when replacing the motor alone	Notes	
M23A※X-3-30	Partly compatible	20	V23A※RX-30	PP03819-221E	*1	
M23A※X-3-40	Compatible	30			V23A※RX-30	PP03819-221E
M23A※X-3-50	Compatible					
M23A※X-3-60	Compatible					
M23A※X-5-30	Partly compatible	20	V23A※RX-30	PP03819-371E	*1	
M23A※X-5-40	Compatible	30			V23A※RX-30	PP03819-371E
M23A※X-5-50	Compatible					
M23A※X-5-60	Compatible					
M23A※X-7-30	Partly compatible	20	V23A※RX-30	PP03819-551E	*1	
M23A※X-7-40	Compatible	30			V23A※RX-30	PP03819-551E
M23A※X-7-60	Compatible					

The compatibility is indicated in the table as follows:

Compatible: Installation compatibility provided (The external dimensions differ.)

Partly compatible: Installation compatibility provided (Some piping needs to be corrected.)

Note: *1 Pump designs prior to design No. 20 use different sealing methods to the current design and therefore the piping needs to be changed.

Previous: Bonded seal → Current: O-ring boss

<Time line of design numbers>

(✓: Models with actual production history)

Design No.	M23A※-3	M23A※-5	M23A※-7	Details of changes from the previous design
30	✓	✓	✓	
40	✓	✓	✓	Pump design changed: 20 → 30
50	✓	✓	—	Motor changed (installation compatibility provided)
60	✓	✓	✓	Motor changed (installation compatibility provided)
70	✓	✓	✓	Motor change (IE1→IE3)

(✓: Models with actual production history)

Design No.	M23A※X-3	M23A※X-5	M23A※X-7	Details of changes from the previous design
30	✓	✓	✓	
40	✓	✓	✓	Pump design changed: 20 → 30
50	✓	✓	—	Motor changed (installation compatibility provided)
60	✓	✓	✓	Motor changed (installation compatibility provided)
70	✓	✓	✓	Motor change (IE1→IE3)

Refer to Page A-70 for the time line of pump design numbers.

Compatibility of products subject to model changes

● Motor pump (M38A)

Model code of currently used product	Installation compatibility with current design (No. 80)	Design number of pump equipped	Procurement code when replacing the pump alone	Procurement code when replacing the motor alone	Notes
M38A×-3-20	Not compatible	10	V38A×R-95	PP03819-221E	
M38A×-3-30	Partly compatible	50			*1
M38A×-3-31	Partly compatible				*1
M38A×-3-40	Compatible	80			
M38A×-3-50	Compatible	95			
M38A×-3-60	Compatible				
M38A×-3-70	Compatible				
M38A×-5-20	Not compatible	10	V38A×R-95	PP03819-371E	
M38A×-5-30	Partly compatible	50			*1
M38A×-5-31	Partly compatible				*1
M38A×-5-40	Compatible	80			
M38A×-5-50	Compatible	95			
M38A×-5-60	Compatible				
M38A×-5-70	Compatible				
M38A×-7-20	Not compatible	10	V38A×R-95	PP03819-551E	
M38A×-7-31	Partly compatible	50			*1
M38A×-7-40	Compatible	80			
M38A×-7-50	Compatible	95			
M38A×-7-70	Compatible				
M38A×-10-40	Compatible	80	V38A×R-95	PP03819-751E	
M38A×-10-50	Compatible	95			
M38A×-10-70	Compatible				

The compatibility is indicated in the table as follows:

Compatible: Installation compatibility provided (The external dimensions differ.)

Partly compatible: Installation compatibility provided (Some piping needs to be corrected.)

Not compatible: Installation compatibility not provided

Note: *1 Pump designs prior to design No. 50 use different sealing methods to the current design and therefore the piping needs to be changed.

Previous: Bonded seal → Current: O-ring boss

<Time line of design numbers>

(✓: Models with actual production history)

Design No.	M38A×-3	M38A×-5	M38A×-7	M38A×-10	Details of changes from the previous design
20	✓	✓	✓	✓	
30	✓	✓	✓	✓	Pump design changed: 10 → 50
31	✓	✓	✓	✓	Motor changed (installation compatibility provided)
40	✓	✓	✓	✓	Pump design changed: 50 → 80
50	✓	✓	✓	✓	Pump design changed: 80 → 95
60	✓	✓	–	–	Motor changed (installation compatibility provided)
70	✓	✓	✓	✓	Motor changed (installation compatibility provided)
80	✓	✓	✓	✓	Motor change (IE1→IE3)

Refer to Page A-70 for the time line of pump design numbers.

Compatibility of products subject to model changes

● **Motor pump (M38A×X)**

Model code of currently used product	Installation compatibility with current design (No. 80)	Design number of pump equipped	Procurement code when replacing the pump alone	Procurement code when replacing the motor alone	Notes
M38A×X-3-20	Not compatible	10	V38A×RX-95	PP03819-221E	
M38A×X-3-30	Partly compatible	50			*1
M38A×X-3-31	Partly compatible				*1
M38A×X-3-40	Compatible	80			
M38A×X-3-50	Compatible	95			
M38A×X-3-60	Compatible				
M38A×X-3-70	Compatible				
M38A×X-5-20	Not compatible	10	V38A×RX-95	PP03819-371E	
M38A×X-5-30	Partly compatible	50			*1
M38A×X-5-31	Partly compatible				*1
M38A×X-5-40	Compatible	80			
M38A×X-5-50	Compatible	95			
M38A×X-5-60	Compatible				
M38A×X-5-70	Compatible				
M38A×X-7-20	Not compatible	10	V38A×RX-95	PP03819-551E	
M38A×X-7-31	Partly compatible	50			*1
M38A×X-7-40	Compatible	80			
M38A×X-7-50	Compatible	95			
M38A×X-7-70	Compatible				
M38A×X-10-40	Compatible	80	V38A×RX-95	PP03819-751E	
M38A×X-10-50	Compatible	95			
M38A×X-10-70	Compatible				

The compatibility is indicated in the table as follows:

Compatible: Installation compatibility provided (The external dimensions differ.)

Partly compatible: Installation compatibility provided (Some piping needs to be corrected.)

Not compatible: Installation compatibility not provided

Note: *1 Pump designs prior to design No. 50 use different sealing methods to the current design and therefore the piping needs to be changed.

Previous: Bonded seal → Current: O-ring boss

<Time line of design numbers>

(✓: Models with actual production history)

Design No.	M38A×X-3	M38A×X-5	M38A×X-7	M38A×X-10	Details of changes from the previous design
20	✓	✓	✓	✓	
30	✓	✓	✓	✓	Pump design changed: 10 → 50
31	✓	✓	✓	✓	Motor changed (installation compatibility provided)
40	✓	✓	✓	✓	Pump design changed: 50 → 80
50	✓	✓	✓	✓	Pump design changed: 80 → 95
60	✓	✓	–	–	Motor changed (installation compatibility provided)
70	✓	✓	✓	✓	Motor changed (installation compatibility provided)
80	✓	✓	✓	✓	Motor change (IE1→IE3)

Refer to Page A-70 for the time line of pump design numbers.