

Contact Details

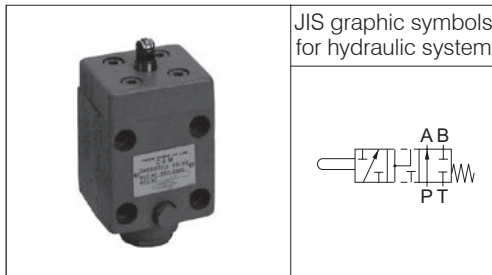
Before using the product, please check the guide pages at the front of this catalog.

Internet

<https://www.daikinpmc.com/en/>

For latest information, PDF catalogs and operation manuals

Cam Operated Pilot Operated Valve



Features

- These 2-position 2-way valves enable switching of the fluid passage in a hydraulic pilot circuit or interlocking circuit using cam operation.
- Their compact and lightweight designs are ideal for automatic operation.

Nomenclature

※ - DD 2 - 2 ※ 02
 1 2 3 4 5 6

1 Applicable fluid code

No designation: Petroleum-based hydraulic fluid, water-glycol hydraulic fluid
 F: Phosphate ester hydraulic fluid

2 Model No.

DD: Cam operated pilot valve

3 Number of directions

2: 2-way type

4 Number of positions

2: 2-position valve

5 Connections

G: Gasket mount type
 T: Screw connection type

6 Nominal diameter

02: 1/4

Specifications

Model code	Nominal diameter	Maximum operating pressure MPa {kgf/cm ² }	Maximum flow rate L/min	Operating force N {kgf}	Stroke mm	Mass kg
DD2-2*02	1/4	14 {140}	11.4	127 {12.7}	Maximum 12.5	2.3

Accessories (gasket mount type)

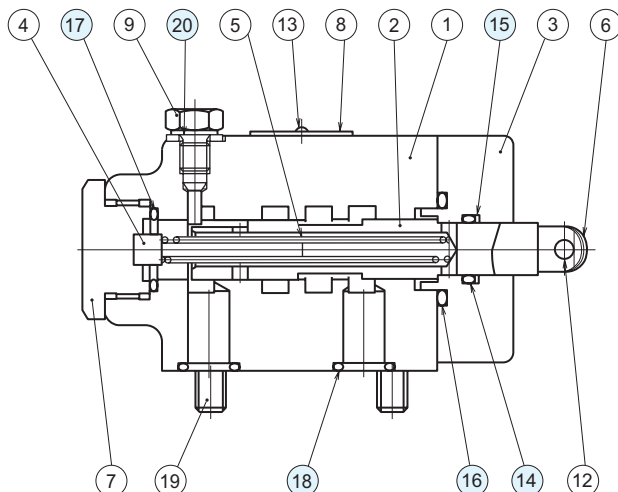
Hexagon socket head cap bolt	Quantity	Tightening torque N·m {kgf·cm}
M8 × 70	4	20 to 25 {200 to 250}

Handling

- Directly connect the tank piping to the tank without merging it with other tank piping.
- Operate the valve with a cam. Use a cam with an inclination angle of no greater than 35°.
- Switch operation requires a minimum stroke of 8 mm.

Sectional structural diagram

- DD2-2G02



Sealing part table

Part No.	Name	Quantity	Part specifications
14	O-ring	1	JIS B 2401 1A P14
15	Backup ring	1	JIS B 2407 Spiral P14
16	O-ring	1	JIS B 2401 1B G25
17	O-ring	1	JIS B 2401 1A P18
18	O-ring	4	JIS B 2401 1B P12
20	Sealing washer	1	OKY-S-1712 SWM-8

Contact Details

Before using the product, please check the guide pages at the front of this catalog.

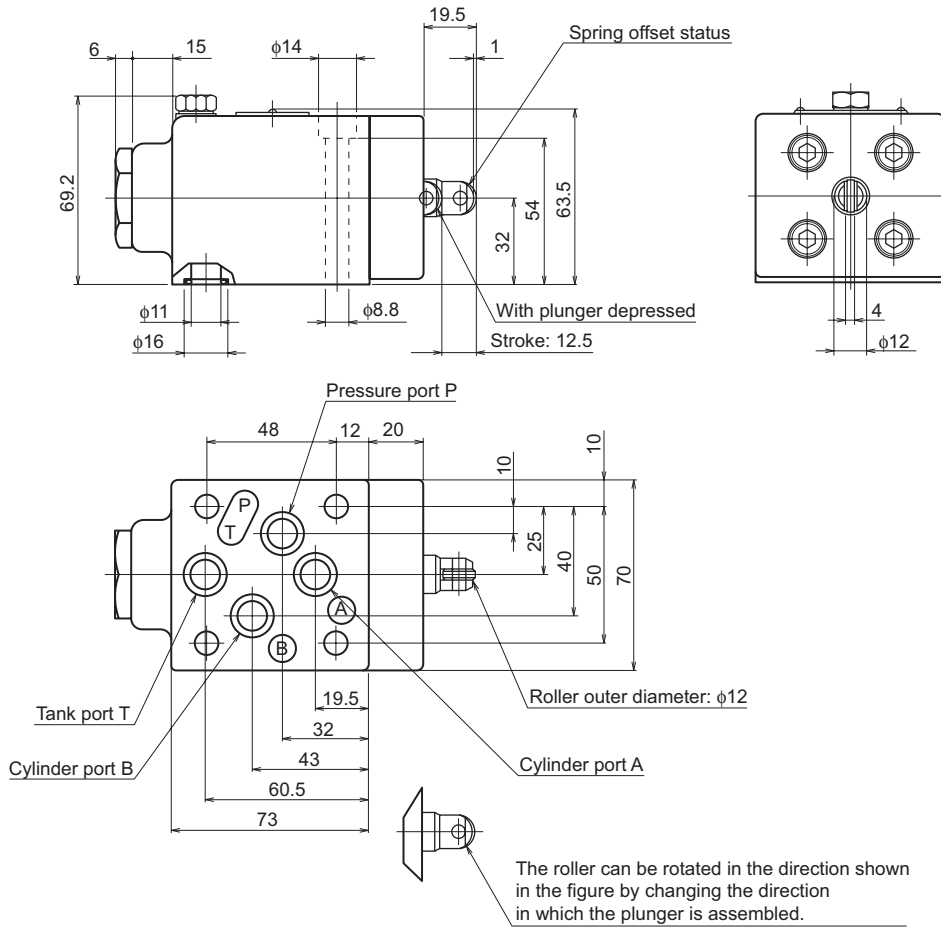
Internet

<https://www.daikinpmc.com/en/>

For latest information, PDF catalogs and operation manuals

External dimension diagram

● DD2-G02



● DD2-T02

