

## Contact Details

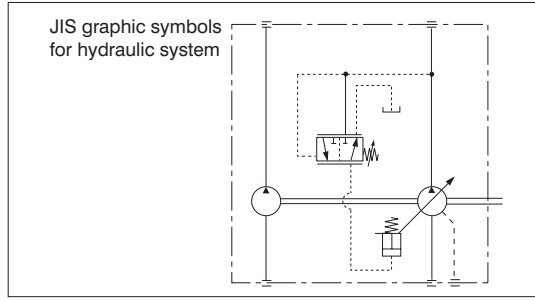
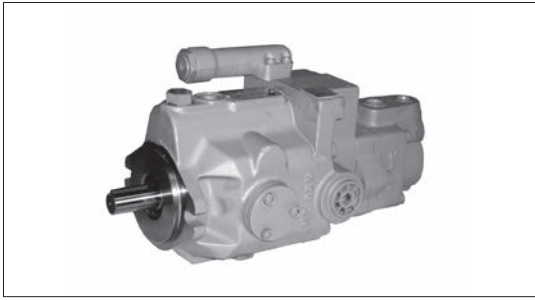
Before using the product, please check the guide pages at the front of this catalog.

Internet

<https://www.daikinpmc.com/en/>

For latest information, PDF catalogs and operation manuals

# VD series Dual Pump



## Nomenclature

VD    ※    -    ※※    A    ※    R    -    ※※  
1   2   3   4   5   6   7

- |   |   |
|---|---|
| <p><b>1 Model No.</b><br/>(Applicable fluids: petroleum-based hydraulic oil)<br/>VD: VD series Dual Pump</p> <p><b>2 Vane pump capacity code</b><br/>1: DS11P<br/>2: DS12P<br/>3: DS13P<br/>4: DS14P</p> <p><b>3 Piston pump capacity code</b><br/>8: V 8 ( 8.0 cm<sup>3</sup>/rev)<br/>15: V15 (14.8 cm<sup>3</sup>/rev)<br/>38: V38 (37.7 cm<sup>3</sup>/rev)</p> | <p><b>4 Control method</b><br/>A: Pressure compensator control</p> <p><b>5 Pressure adjustment range (piston pump)</b><br/>1: 0.8 to 7 MPa { 8 to 70 kgf/cm<sup>2</sup> }<br/>2: 1.5 to 14 MPa { 15 to 140 kgf/cm<sup>2</sup> }<br/>3: 3.5 to 21 MPa { 35 to 210 kgf/cm<sup>2</sup> }</p> <p><b>6 Direction of rotation, when viewed from the shaft end</b><br/>R: Clockwise (rightward)</p> <p><b>7 Design No. (The design No. is subject to change)</b><br/>30: Pump model VD※-8A1R<br/>95: Pump model VD※-15A※R, VD※-38A※R</p> |
|---|---|

## Vane Pump Specifications

Model code	[Conditions] Input rotational speed: 1800 min <sup>-1</sup> , Fluid used: equivalent to ISO VG32, Fluid temperature: 40°C									
	Discharge rate L/min				Shaft input kW					
	0.4 MPa {4 kgf/cm <sup>2</sup> }	3 MPa {30 kgf/cm <sup>2</sup> }	5 MPa {50 kgf/cm <sup>2</sup> }	7 MPa {70 kgf/cm <sup>2</sup> }	0.4 MPa {4 kgf/cm <sup>2</sup> }	1 MPa {10 kgf/cm <sup>2</sup> }	3 MPa {30 kgf/cm <sup>2</sup> }	5 MPa {50 kgf/cm <sup>2</sup> }	7 MPa {70 kgf/cm <sup>2</sup> }	
DS11P	5.0	4.5	4.1	3.9	0.15	0.28	0.55	0.82	1.1	
DS12P	7.7	7.2	6.7	6.5	0.20	0.40	0.75	1.12	1.5	
DS13P	12.6	11.8	11.5	11.0	0.25	0.50	1.05	1.55	2.1	
DS14P	22.1	21.2	20.5	20.0	0.35	0.77	1.65	2.50	3.4	

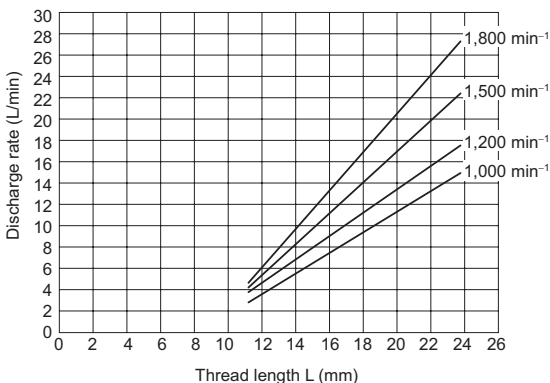
Note: Vane pump models  
 DS1※P-20S5: For VD※-8A1R-30, DS1※P-20S2: For VD※-15A※R-95 or VD※-38A※R-95

## Piston Pump Specifications

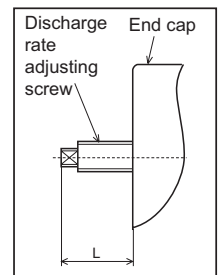
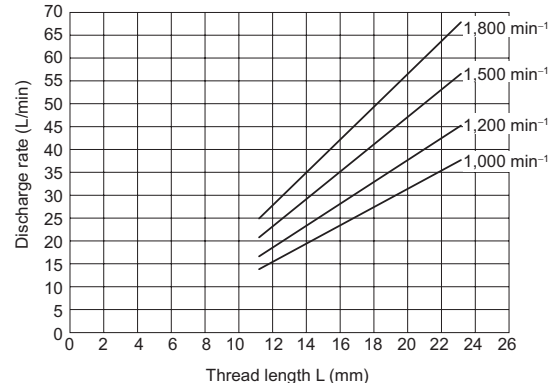
### Relationship between the protruding length of the discharge rate adjusting screw and the discharge rate

● The discharge rate can be roughly judged from the protruding length of the discharge rate adjusting screw (L).  
 (Note: The discharge rate for VD※-8A1R-30 cannot be adjusted.)

VD※-15A※R-95



VD※-38A※R-95



Refer to Page A-8 for other detailed specifications.

## Contact Details

Before using the product, please check the guide pages at the front of this catalog.

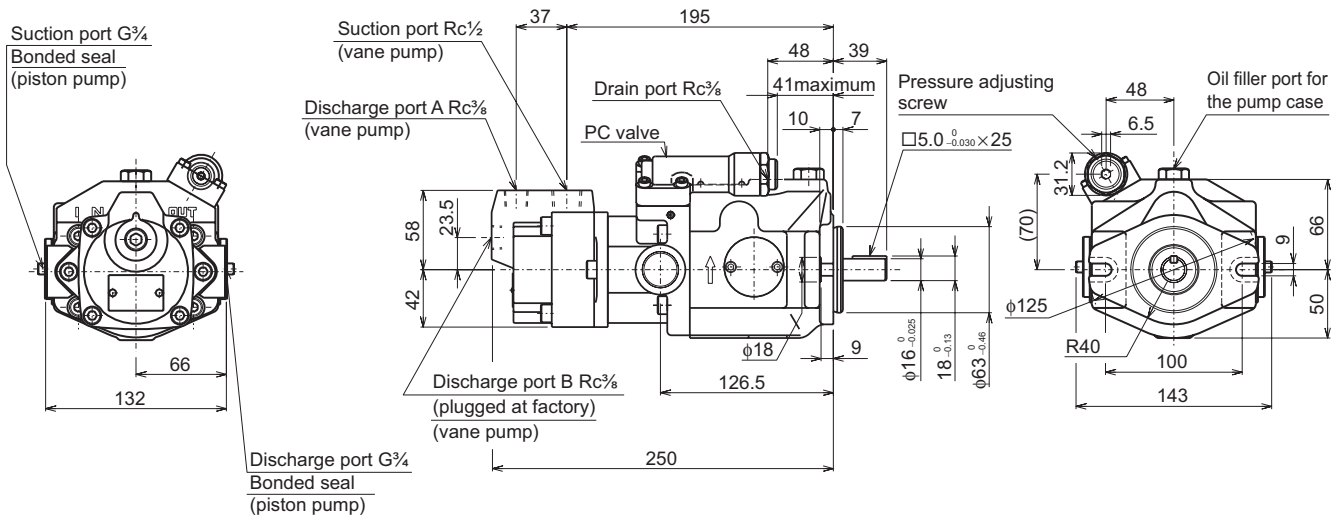
Internet

<https://www.daikinpmc.com/en/>

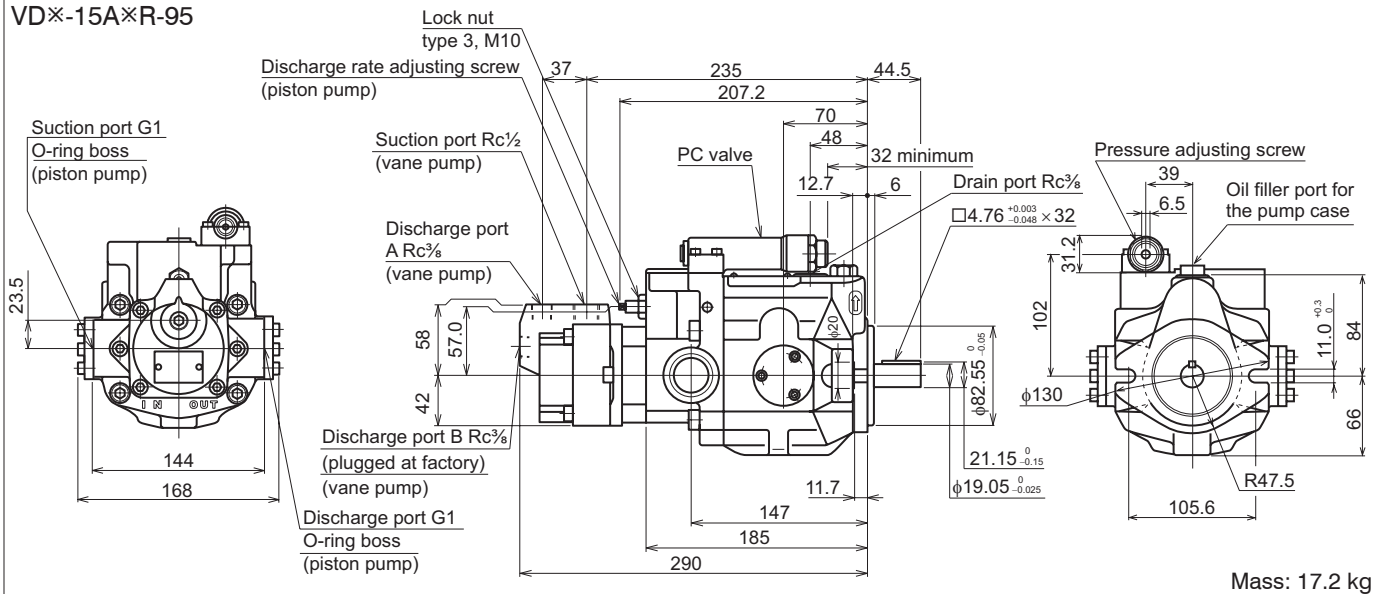
For latest information, PDF catalogs and operation manuals

## External dimension diagram

### VD\*-8A1R-30



### VD\*-15A\*R-95



### VD\*-38A\*R-95

