

PISCO®



Pressure Reducing Valve with Pressure Gauge

Pressure Regulator

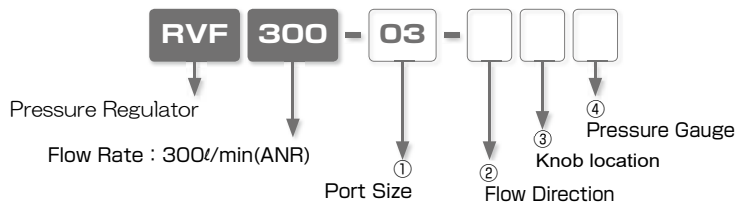
- *Pressure Gauge Option - Bourdon tube Compact Pressure Gauge
Battery Operated Digital Display Gauge
Dual LCD Display Pressure Sensor Switch*
- *Analog Display is readable from the side by a special scale.*
 - *Push-lock type of Knob is easy to handle.*
 - *Display is readable from the side by a special scale.*
 - *Knob position is selectable.*



Pressure Reducing Valve

Regulator

Model Designation (Example)



① Port Size

O2 : Rc1/4(Taper Pipe Female Thread)

O3 : Rc3/8(Taper Pipe Female Thread)

② Flow Direction

No Code : Left to Right

R : Right to Left

③ Knob Location

No Code : Top

S : Bottom

④ Pressure Gauge

No entry : Bourdon tube pressure gauge

L : No gauge

G : Digital pressure gauge

T2 : Dual LCD digital pressure sensor (1 point SW+analog output (2m cable))

T2C : Dual LCD digital pressure sensor (1point SW+analog output (M8, 4-pin male connector))

T3 : Dual LCD digital pressure sensor (2 points SW output (2m cable))

T3C : Dual LCD digital pressure sensor (2 points SW output (M8, 4-pin male connector))

T4 : Dual LCD digital pressure sensor (NPN output, 2 points SW+analog output)

T4P : Dual LCD digital pressure sensor (PNP output, 2 points SW+analog output)

T5 : Dual LCD digital pressure sensor (NPN output, 2 points SW output+copy function)

T5P : Dual LCD digital pressure sensor (PNP output, 2 points SW+copy function)

※ Lead-wire of T4(P) and T5(P) Connector type with 2m length cable

Specifications of Pressure Regulator

Port Dia.	Rc1/4 (02)	Rc3/8 (02)
Fluid Medium	Air	
Max. Operating Pressure	145psi (1MPa)	
Pressure Setting Range	7.25 ~ 123.25psi (0.05 ~ 0.85MPa)	
Pressure Resistance	181psi (1.2MPa)	
Operating Temp. Range	41 ~ 122°F (5 ~ 50°C)	

* Rc is same as BSPT female thread

Specifications of Bourdon Tube Pressure Gauge

Model Code	GK 46-B20
Fluid Medium	Air
Pressure Display Range	0 ~ 145psi (0 ~ 1MPa)
Accuracy	± 5%F.S.

Specification of Digital Pressure Gauge

Rated pressure range	0.000 ~ 1.000MPa
Pressure display range	-0.100 ~ 1.000MPa (※1、※2)
Proof pressure	217psi (1.5MPa)
Fluid medium	Air, non-corrosive / non-flammable gas
Battery type	CR 2032 Lithium battery (*4)
Battery life	About 3 years (at 5times indication/ day)
Low-power indicator	Yes
Battery replacement	Yes
Turn-on interval	60 seconds
Sampling rate	2Hz (2 times/sec.)
Repeatability	≤ ±0.2%F.S. ±1digit
LCD display	7 segment, 3.5digit
Indicator accuracy	±2%F.S. ±1digit or below (ambient temp. : at 77± 5.4°F (25 ± 3°C))
Protective structure	IP65 (*3)
Ambient temp. range	Operation: 32~122°F (0~50°C), Storage: 14~140°F (-10 ~ 60°C) (No dew condensation, no freezing)
Ambient humidity range	Operation / Storage: 35 ~ 85%RH (No dew condensation)
Vibration proof	Total amplitude 1.5mm or 100m/s ² . 10Hz-55Hz-10Hz scan for 1minute, Direction of X, Y and Z for 2hours each
Shock resistance	100m/s ² , 3 times each direction of X, Y and Z
Temperature characteristic	±2%F.S. of detected pressure at 77°F (25°C)

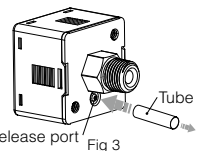
*1. The display at the time of impressing negative pressure will be Fig.1, and Fig. 2.

*2. Indicator accuracy is not guaranteed for the pressure range -0.1 ~ 0Mpa.

*3. Air tube must be inserted into the atmospheric release port to maintain IP65. See Fig.3.

*4. Using other battery can result in electrical shock or fire.

*5. This digital pressure gauge can not be calibrated. So the reading could be out of tolerance with time.



Atmospheric release port Fig 3



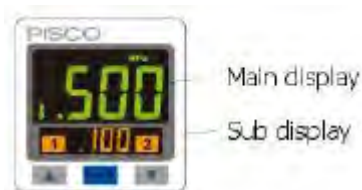
Pressure Reducing Valve

Regulator

Specifications of Dual LCD Digital Pressure Sensor

Sensor type		SEU-31-N	SEU-32-N	SEU-32-P
Rated pressure range		0.000 ~ 1.000MPa		
Proof pressure		1.5MPa		
Fluid medium		Air, Non-corrosive / Non-flammable gas		
Power requirements		DC12V ~ 24V (Ripple $\pm 10\%$ or less)		
Current consumption		40mA or less (With no load)		
Switch output	Switch output	NPN open collector		PNP open collector
	Max. load current	125mA		
	Max. supply voltage	DC30V		DC24V
	Residual voltage	1.5V or below		
Repeatability		$\pm 0.2\%$ F.S. ± 1 digit or less		
Hysteresis	One point set mode	Adjustable (※)		
	Window comparator mode			
Response time		2.5ms or less (Chattering-proof function : 25ms, 100ms, 250ms, 500ms, 1000ms, 1500ms selections)		
Output short circuit protection		Yes		
Digital display		3 colors (Red, Green, Orange) indication (Sampling rate: 5times / 1sec.)		
Indicator accuracy		$\pm 2\%$ F.S. ± 1 digit or below (at $T_a = 77 \pm 5.4^\circ\text{F}$ ($25 \pm 3^\circ\text{C}$))		
Switch ON indicator		Orange 1 & 2 indicator		
Analog output (Voltage output)		Output voltage : 1 ~ 5V $\pm 2.5\%$ F.S. (within rated pressure range) Linearity : $\pm 1\%$ F. S. or less, output impedance 1k Ω		
Environment	Protective structure	IP40		
	Ambient temp. range	Operation: 32~122°F (0~50°C), Storage: 14~140°F (-10 ~ 60°C) (No dew condensation, no freezing)		
	Ambient humidity range	Operation / Storage: 35 ~ 85%RH (No dew condensation)		
	Withstand voltage	1000VAC in 1 min. (Between case and lead wire)		
	Insulation resistance	50M Ω or more (500VDC) (Between case and lead wire)		
	Vibration proof	Total amplitude 1.5mm or 100m/s ² , 10Hz ~ 150Hz ~ 10Hz for 1min.、2 hrs. each direction X, Y, Z		
Shock resistance		100m/s ² 3 times each in direction X, Y, Z		
Temperature characteristics		$\pm 2\%$ F.S. or less at $T_a = 77^\circ\text{F}$ (25°C), temp. range 32~122°F (0 ~ 50°C)		
Cable spec.		Oil-resistance cable (0.15mm ²)		

※. Hysteresis value is adjustable within 1~8 digits for one point set mode and window comparator mode.



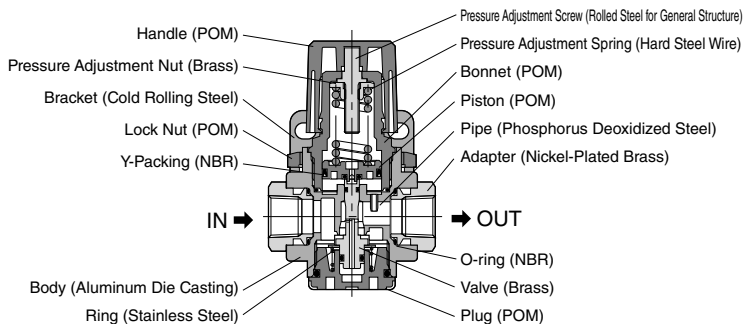
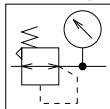


Pressure Reducing Valve

Regulator

Construction

Symbol of Regulator with Gauge



⚠ Detailed Safety Instructions

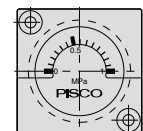
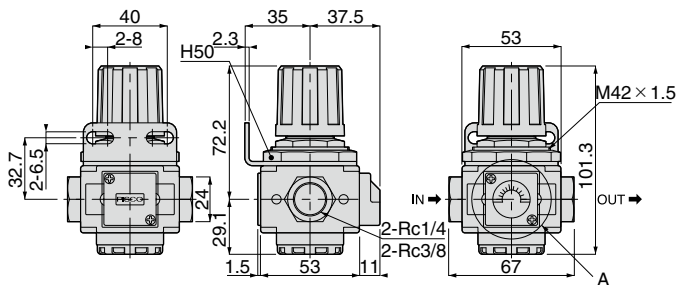
Before using PISCO products, be sure to read "Safety Instructions" and "Safety Instruction Manual" and Common Safety Instructions for Modular Filter and Regulator Unit".

Caution

1. When discharging secondary side air open to atmosphere, sympathetic vibration may be generated by an influence of a flow. Because there is a danger of causing such as the internal damage, please avoid the use such as discharging secondary side air open to atmosphere for long period of time.

RVF Regulator with Top Knob and Bourdon Tube Pressure Gauge

RoHS compliant



Enlarged figure of A

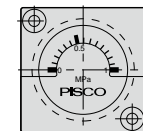
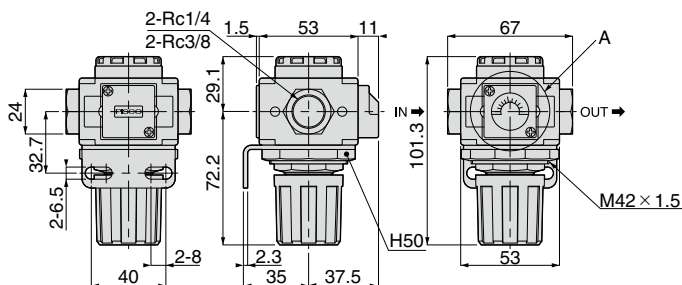
Model Code	Weight (g)		CAD File
	Port size : 02(Rc1/4)	Port size : 03(Rc3/8)	
RVF300-□-□	465.5	444.5	CRM-002

* Fill in □ on left with "02" for Rc1/4 or "03" for Rc3/8.

Fill in the end □ with "R" for the flow direction from right to left. Leave the end □ blank when the direction is from left to right.

RVF Regulator with Bottom Knob and Bourdon Tube Pressure Gauge

RoHS compliant



Enlarged figure of A

Model Code	Weight (g)	
	Port size : 02(Rc1/4)	Port size : 03(Rc3/8)
RVF300-□-□S	465.5	444.5

* Fill in □ on left with "02" for Rc1/4 or "03" for Rc3/8.

Fill in the end □ with "R" for the flow direction from right to left. Leave the end □ blank when the direction is from left to right.



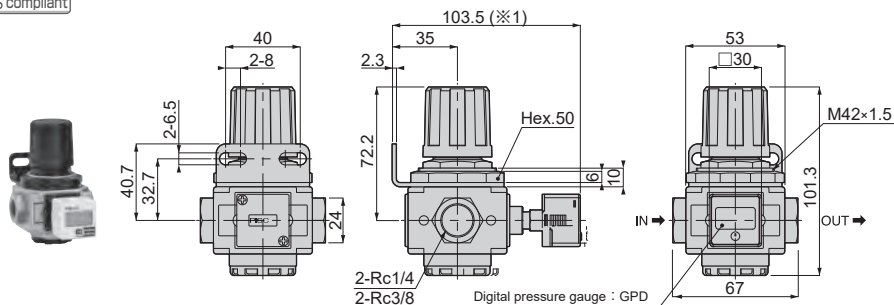
Pressure Reducing Valve

Regulator



Regulator with Top Knob and Digital Pressure Gauge

RoHS compliant

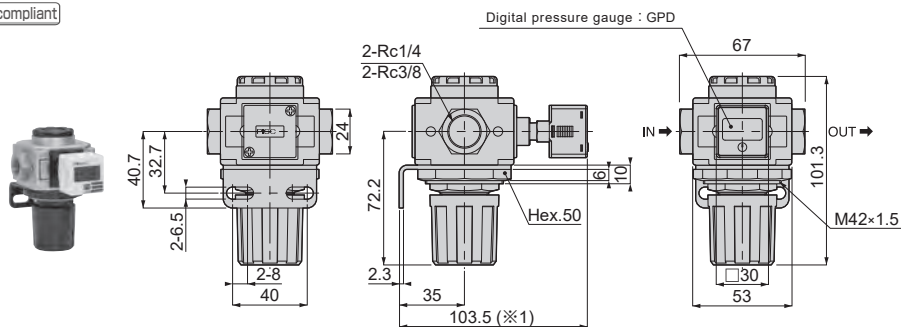


Model code	Weight (g)	
	Port size : 02(Rc1/4)	Port size : 03(Rc3/8)
RVF300-①-②G	474	453



Regulator with Bottom Knob and Digital Pressure Gauge

RoHS compliant



Model Code	Weight (g)	
	Port size : 02(Rc1/4)	Port size : 03(Rc3/8)
RVF300-①-②SG	474	453

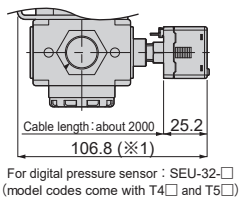
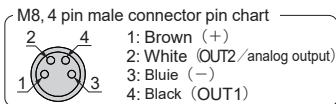
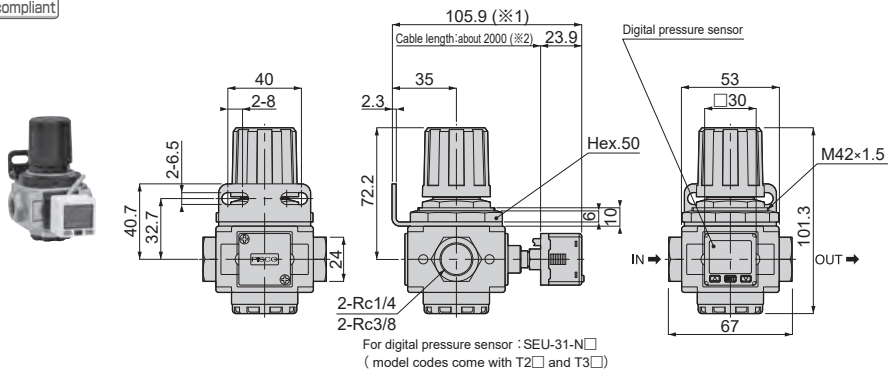
※1. The dimension of 103.5mm is just for reference. The actual distance might be slightly different.

※2. Fill in ① of model code with 02 for Rc1/4 thread or 03 for Rc3/8 thread.

Fill in ② with R only if the flow direction from right to left is needed. Otherwise leave it blank (standard flow direction is from left to right).

RVF Regulator with Top Knob and Dual LCD Digital Pressure Sensor

RoHS compliant



● For model codes with T2□ and T3□

Model Code	Weight (g)	
	Port size : 02(Rc1/4)	Port size : 03(Rc3/8)
RVF300-①-② T□	510	489
RVF300-①-② T□C	473	452

Fill in □ with 2 if SW 1point output + analog output pressure sensor is needed and 3 for SW 2points output pressure sensor.

● For model codes with T4□ and T5□

Model Code	Weight (g)	
	Port size : 02(Rc1/4)	Port size : 03(Rc3/8)
RVF300-①-② T□	517	496

Fill in □ with 4 if NPN output, SW 2points output + analog output pressure sensor is needed, 4P for PNP output, SW 2points output + analog output sensor, 5 for NPN output, SW 2points output + copy function sensor and 5P for PNP output, SW 2points output + copy function sensor.

※ 1. The dimensions of 105.9mm and 106.8mm are just for reference.

※ 2. The Cable length of M8, 4 pin connector is 150mm

※ 3. Fill in ① of model code with 02 for Rc1/4 thread or 03 for Rc3/8 thread.

Fill in ② with R only if the flow direction from right to left is needed. Otherwise leave it blank (standard flow direction is from left to right).



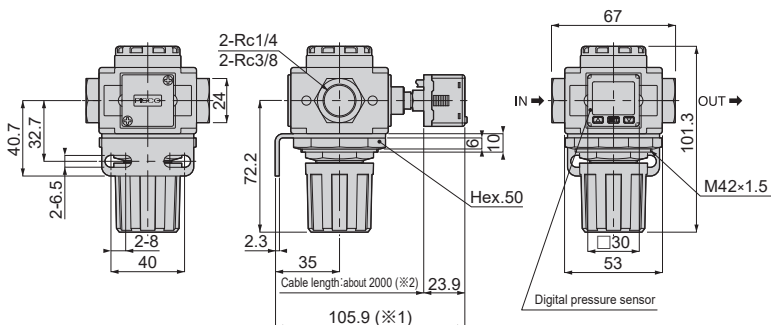
Pressure Reducing Valve

Regulator

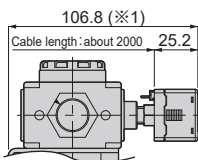
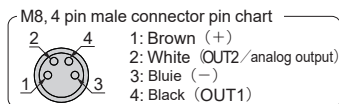


Regulator with Bottom Knob and Dual LCD Digital Pressure Sensor

RoHS compliant



For digital pressure sensor : SEU-31-N□
(model codes come with T2□ and T3□)



For digital pressure sensor : SEU-32-□
(model codes come with T4□ and T5□)

● For model codes with T2□ and T3□

Model Code	Weight (g)	
	Port size : 02(Rc1/4)	Port size : 03(Rc3/8)
RVF300-①-②ST□	510	489
RVF300-①-②ST□C	473	452

Fill in □ with 4 if SW 1point output + analog output pressure sensor is needed and 3 for SW 2points output pressure sensor.

● For model codes with T4□ and T5□

Model Code	Weight (g)	
	Port size : 02(Rc1/4)	Port size : 03(Rc3/8)
RVF300-①-②ST□	517	496

Fill in □ with 4 if NPN output, SW 2points output + analog output pressure sensor is needed, 4P for PNP output, SW 2points output + analog output sensor, 5 for NPN output, SW 2points output + copy function sensor and 5P for PNP output, SW 2points output + copy function sensor.

※ 1. The dimensions of 105.9mm and 106.8mm are just for reference.

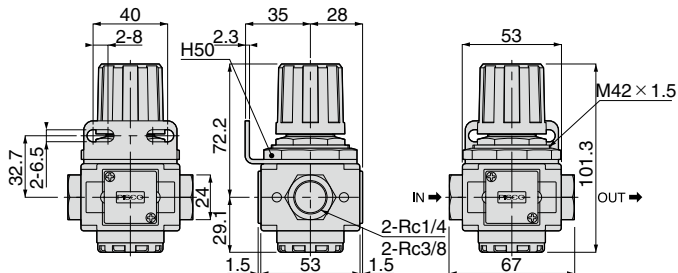
※ 2. The Cable length of M8, 4 pin connector is 150mm

※ 3. Fill in ① of model code with 02 for Rc1/4 thread or 03 for Rc3/8 thread.

Fill in ② with R only if the flow direction from right to left is needed. Otherwise leave it blank (standard flow direction is from left to right).

RVF Regulator with Top Knob and No Gauge

RoHS compliant



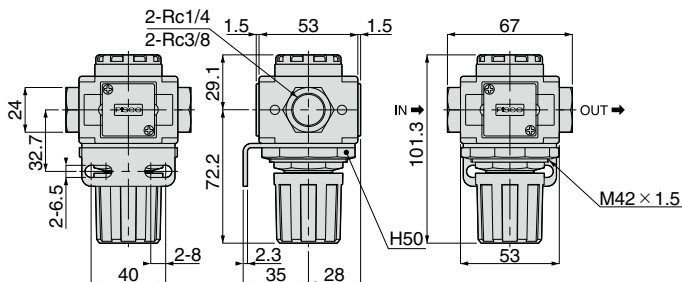
Model Code	Weight (g)	
	Port size : 02(Rc1/4)	Port size : 03(Rc3/8)
RVF300-□-□L	429	408

* Fill in □ on left with "02" for Rc1/4 or "03" for Rc3/8.

Fill in the end □ with "R" for the flow direction from right to left. Leave the end □ blank when the direction is from left to right.

RVF Regulator with Bottom Knob and No Gauge

RoHS compliant



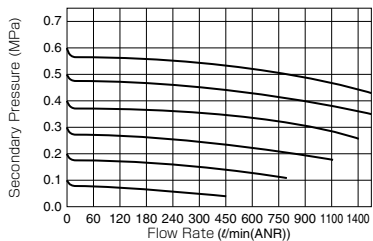
Model Code	Weight (g)	
	Port size : 02(Rc1/4)	Port size : 03(Rc3/8)
RVF300-□-□SL	429	408

* Fill in □ on left with "02" for Rc1/4 or "03" for Rc3/8.

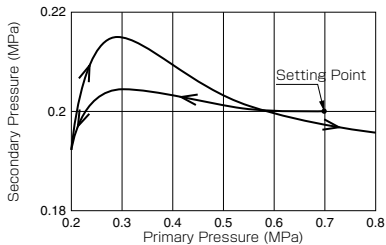
Fill in the end □ with "R" for the flow direction from right to left. Leave the end □ blank when the direction is from left to right.

Characteristics

Flow Characteristics



Pressure Characteristics





Pressure Reducing Valve

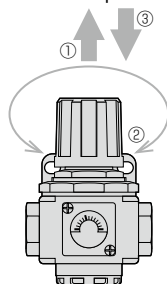
List of Chemical Resistance (Do not use the product under the following chemical atmosphere)

Chemical Type	Classification	Chemicals	Applications
Inorganic Compound	Acid	Hydrochloric Acid, Sulfuric Acid, Nitric Acid, Fluorine, Phosphoric Acid, Chromic Acid and etc.	Metal picking solution, acid degreasing solution, skin repair solution and etc.
	Alkali	Caustic Soda, Caustic Potash, Slaked Lime, Aqueous Ammonia, Washing Soda and other Alkali Materials	Alkaline degreasing solution for metals
Organic Compound	Inorganic Salt	Sodium Sulphide, Potassium Nitrate, Potassium Dichromate, Sodium Nitrate and etc.	
	Aromatic Hydrocarbon	Benzene, Toluene, Xylene, Ethylbenzene, Styrene and etc.	Contained in painting thinner (Benzene, Toluene and Xylene)
	Chlorinated Aliphatic Hydrocarbon	Methyl Chloride, Ethylene Chloride, Methylene Chloride, Acetylene Chloride, Chloroform, Trichloroethylene, Berkelene, Carbon Tetrachloride and etc.	Organic solvent solution for metals (Trichloroethylene, Berkelene and Carbon Tetrachloride)
	Chlorinated Aromatic Hydrocarbon	Chlorobenzene, Dichlorobenzene, Benzene Hexachloride (BHC) and etc.	Agricultural Chemicals
	Petroleum Components	Solvent, Naphtha and Gasoline	
	Alcohol	Methyl Alcohol, Ethyl Alcohol, Cyclohexanol and Benzyl alcohol	Used as an anti-freezing agent
	Fenol	Carbolic Acid, Cresol, Naphthol and etc.	Disinfectant
	Ether	Methyl Ether, Ethyl Methyl Ether and Ethyl Ether	Break fluid additives
	Ketone	Acetone, Methyl Ethyl Ketone, Cyclohexanone, Acetophenon and etc.	
	Carboxylic Acid	Formic Acid, Acetic Acid, Butylic Acid, Acrylic Acid, Oxalic Acid, Phthalic Acid and etc.	Dyeing agent and oxalic acid are used for aluminum repairing agent. Phthalic acid is used for base of paint.
	Phosphate	Dimethyl Phthalate (DMP), Diethyl Phthalate (DEP), Dibutyl Phthalate (DBP) and Dioctyl Phthalate (DOP)	Used as additives of lubricant, synthetic hydraulic fluid or rust inhibitor. Also used as plasticizer for synthetic resins.
	Oxo Acid	Glycolic Acid, Lactic Acid, Malic Acid, Citric Acid and Tartaric Acid	
	Nitro Compound	Nitromethane, Nitroethane, Nitroethylene, Nitrobenzene and etc.	
	Amine	Methyl Amine, Dimethyl Amine, Ethylamines, Aniline, Acetaniline and etc.	Break fluid additives
Nitrile	Acetonitrile, Acrylonitrile, Benzonitrile, aceto(iso) nitrile and etc.	Material of nitrile rubber	

△ Operation of Regulator

Pressure Setting Procedure

- ① Pull Handle up to unlock before the pressure adjustment.
- ② Turn Handle right to increase pressure and left to decrease.
Note) Pressure adjustment needs to be done by turning Handle in the clockwise (in the direction of increasing pressure).
- ③ After the adjustment is completed, make sure to push Handle down to lock it.





Common Safety Instructions for Modular Type Filter and Regulator Unit

Before selecting or using PISCO products, read the following instructions. Read the detailed instructions for individual series.

Warning

1. When installing the dryer, provide adequate support and fix it securely. Looseness or dropping off of the dryer may cause injuries.
2. Do not use the dryer without the explosion-proof casing (bowl guard). If the bowl breaks, the pieces may fly apart to cause injuries.
3. Make sure to set the lock lever on the filter, mist filter and micromist filter to "lock" before using. Otherwise, there is a risk of Bowl Guard or Bowl coming off which may cause injuries.
4. When conducting the maintenance, checkup, or replacement of the product, make sure to turn off the power and shut off the air supply. Confirm the residual pressure in the piping becomes zero before maintenance or replacement of expendables.
5. Do not use the dryer in a fluid or atmosphere containing corrosive gas or organic solvent gas. Such a use may deteriorate the dryer body which causes leakage or damage.

Caution

1. Air Filter, Mist filter and Micromist Filter shall be installed downward in a vertical direction. Improper installation may cause faulty draining.
2. Drain in Air Filter, Mist Filter and Micromist Filter are discharged automatically at the air pressure less than 0.05MPa for the manual drain type and 0.15MPa for the auto drain type. When installing, consider the self-discharging of air and drain.
3. When the manual drain type is selected, discharge drain before it reaches to the "MAX. DRAIN LEVEL" . Otherwise, it may become the cause which the drain flows into a secondary side.
4. Check the IN side of air supply by the \triangleright mark. Wrong piping may impair the performance.
5. Do not apply the pressure beyond the pressure setting range (Max. 0.85MPa) for Regulator. Otherwise, there is a risk of malfunctions.



SAFETY Instructions

This safety instructions aim to prevent personal injury and damage to properties by requiring proper use of PISCO products.

Be certain to follow ISO 4414 and JIS B 8370

ISO 4414 : Pneumatic fluid power...Recommendations for the application of equipment to transmission and control systems.

JIS B 8370 : General rules and safety requirements for systems and their components.

This safety instructions is classified into "Danger", "Warning" and "Caution" depending on the degree of danger or damages caused by improper use of PISCO products.



Danger

Hazardous conditions. It can cause death or serious personal injury.



Warning

Hazardous conditions depending on usages. Improper use of PISCO products can cause death or serious personal injury.



Caution

Hazardous conditions depending on usages. Improper use of PISCO products can cause personal injury or damages to properties.



Warning

1. Selection of pneumatic products

- ① A user who is a pneumatic system designer or has sufficient experience and technical expertise should select PISCO products.
- ② Due to wide variety of operating conditions and applications for PISCO products, carry out the analysis and evaluation on PISCO products. The pneumatic system designer is solely responsible for assuring that the user's requirements are met and that the application presents no health or safety hazards. All designers are required to fully understand the specifications of PISCO products and constitute all systems based on the latest catalog or information, considering any malfunctions.

2. Handle the pneumatic equipment with enough knowledge and experience

- ① Improper use of compressed air is dangerous. Assembly, operation and maintenance of machines using pneumatic equipment should be conducted by a person with enough knowledge and experience.

3. Do not operate machine / equipment or remove pneumatic equipment until safety is confirmed.

- ① Make sure that preventive measures against falling work-pieces or sudden movements of machine are completed before inspection or maintenance of these machine.
- ② Make sure the above preventive measures are completed. A compressed air supply and the power supply to the machine must be off, and also the compressed air in the systems must be exhausted.
- ③ Restart the machines with care after ensuring to take all preventive measures against sudden movements.

Disclaimer

1. PISCO does not take any responsibility for any incidental or indirect loss, such as production line stop, interruption of business, loss of benefits, personal injury, etc., caused by any failure on use or application of PISCO products.
2. PISCO does not take any responsibility for any loss caused by natural disasters, fires not related to PISCO products, acts by third parties, and intentional or accidental damages of PISCO products due to incorrect usage.
3. PISCO does not take any responsibility for any loss caused by improper usage of PISCO products such as exceeding the specification limit or not following the usage the published instructions and catalog allow.
4. PISCO does not take any responsibility for any loss caused by remodeling of PISCO products, or by combinational use with non-PISCO products and other software systems.
5. The damages caused by the defect of Pisco products shall be covered but limited to the full amount of the PISCO products paid by the customer.



SAFETY INSTRUCTION MANUAL

PISCO products are designed and manufactured for use in general industrial machines. Be sure to read and follow the instructions below.

Danger

1. Do not use PISCO products for the following applications.
 - ① Equipment used for maintaining / handling human life and body.
 - ② Equipment used for moving / transporting human.
 - ③ Equipment specifically used for safety purposes.

Warning

1. Do not use PISCO products under the following conditions.
 - ① Beyond the specifications or conditions stated in the catalog, or the instructions.
 - ② Under the direct sunlight or outdoors.
 - ③ Excessive vibrations and impacts.
 - ④ Exposure / adhere to corrosive gas, inflammable gas, chemicals, seawater, water and vapor. *
* Some products can be used under the condition above(④), refer to the details of specification and condition of each product.
2. Do not disassemble or modify PISCO products, which affect the performance, function, and basic structure of the product.
3. Turn off the power supply, stop the air supply to PISCO products, and make sure there is no residual air pressure in the pipes before maintenance and inspection.
4. Do not touch the release-ring of push-in fitting when there is a working pressure. The lock may be released by the physical contact, and tube may fly out or slip out.
5. Frequent switchover of compressed air may generate heat, and there is a risk of causing burn injury.
6. Avoid any load on PISCO products, such as a tensile strength, twisting and bending. Otherwise, there is a risk of causing damage to the products.
7. As for applications where threads or tubes swing / rotate, use Rotary Joints, High Rotary Joints or Multi-Circuit Rotary Block only. The other PISCO products can be damaged in these applications.
8. Use only Die Temperature Control Fitting Series, Tube Fitting Stainless SUS316 Series, Tube Fitting Stainless SUS316 Compression Fitting Series or Tube Fitting Brass Series under the condition of over 60°C (140° F) water or thermal oil. Other PISCO products can be damaged by heat and hydrolysis under the condition above.
9. As for the condition required to dissipate static electricity or provide an antistatic performance, use EG series fitting and antistatic products only, and do not use other PISCO products. There is a risk that static electricity can cause system defects or failures.
10. Use only Fittings with a characteristic of spatter-proof such as Anti-spatter or Brass series in a place where flame and weld spatter is produced. There is a risk of causing fire by sparks.
11. Turn off the power supply to PISCO products, and make sure there is no residual air pressure in the pipes and equipment before maintenance. Follow the instructions below in order to ensure safety.
 - ① Make sure the safety of all systems related to PISCO products before maintenance.
 - ② Restart of operation after maintenance shall be proceeded with care after ensuring safety of the system by preventive measures against unexpected movements of machines and devices where pneumatic equipment is used.
 - ③ Keep enough space for maintenance when designing a circuit.
12. Take safety measures such as providing a protection cover if there is a risk of causing damages or fires on machine / facilities by a fluid leakage.

⚠ Caution

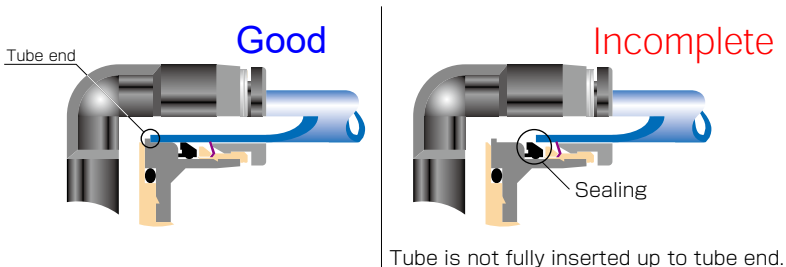
1. Remove dusts or drain before piping. They may get into the peripheral machine / facilities and cause malfunction.
2. When inserting an ultra-soft tube into push-in fitting, make sure to place an Insert Ring into the tube edge. There is a risk of causing the escape of tube and a fluid leakage without using an Insert Ring.
3. The product incorporating NBR as seal rubber material has a risk of malfunction caused by ozone crack. Ozone exists in high concentrations in static elimination air, clean-room, and near the high-voltage motors, etc. As a countermeasure, material change from NBR to HNBR or FKM is necessary. Consult with PISCO for more information.
4. Special option "Oil-free" products may cause a very small amount of a fluid leakage. When a fluid medium is liquid or the products are required to be used in harsh environments, contact us for further information.
5. In case of using non-PISCO brand tubes, make sure the tolerance of the outer tube diameter is within the limits of Table 1.

● Table 1. Tube O.D. Tolerance

mm size	Nylon tube	Polyurethane tube	inch size	Nylon tube	Polyurethane tube
ø1.8mm	—	± 0.05mm	ø1/8	± 0.1mm	± 0.15mm
ø3mm	—	± 0.15mm	ø5/32	± 0.1mm	± 0.15mm
ø4mm	± 0.1mm	± 0.15mm	ø3/16	± 0.1mm	± 0.15mm
ø6mm	± 0.1mm	± 0.15mm	ø1/4	± 0.1mm	± 0.15mm
ø8mm	± 0.1mm	± 0.15mm	ø5/16	± 0.1mm	± 0.15mm
ø10mm	± 0.1mm	± 0.15mm	ø3/8	± 0.1mm	± 0.15mm
ø12mm	± 0.1mm	± 0.15mm	ø1/2	± 0.1mm	± 0.15mm
ø16mm	± 0.1mm	± 0.15mm	ø5/8	± 0.1mm	± 0.15mm

6. Instructions for Tube Insertion

- ① Make sure that the cut end surface of the tube is at right angle without a scratch on the surface and deformations.
- ② When inserting a tube, the tube needs to be inserted fully into the push-in fitting until the tubing edge touches the tube end of the fitting as shown in the figure below. Otherwise, there is a risk of leakage.



- ③ After inserting the tube, make sure it is inserted properly and not to be disconnected by pulling it moderately.
- ※ When inserting tubes, Lock-claws may be hardly visible in the hole, observed from the front face of the release-ring. But it does not mean the tube will surely escape. Major causes of the tube escape are the followings;
- ① Shear drop of the lock-claws edge
 - ② The problem of tube diameter (usually small)
- Therefore, follow the above instructions from ① to ③, even lock-claws is hardly visible.

7. Instructions for Tube Disconnection

- ① Make sure there is no air pressure inside of the tube, before disconnecting it.
- ② Push the release-ring of the push-in fitting evenly and deeply enough to pull out the tube toward oneself. By insufficient pushing of the release-ring, the tube may not be pulled out or damaged by scratch, and tube shavings may remain inside of the fitting, which may cause the leakage later.

8. Instructions for Installing a fitting

- ① When installing a fitting, use proper tools to tighten a hexagonal-column or an inner hexagonal socket. When inserting a hex key into the inner hexagonal socket of the fitting, be careful so that the tool does not touch lock-claws. The deformation of lock-claws may result in a poor performance of systems or an escape of the tube.
- ② Refer to Table 2 which shows the recommended tightening torque. Do not exceed these limits to tighten a thread. Excessive tightening may break the thread part or deform the gasket and cause a fluid leakage. Tightening thread with tightening torque lower than these limits may cause a loosened thread or a fluid leakage.
- ③ Adjust the tube direction while tightening thread within these limits, since some PISCO products are not rotatable after the installation.

● Table 2: Recommended tightening torque / Sealock color / Gasket materials

Thread type	Thread size	Tightening torque	Sealock color	Gasket materials
Metric thread	M3 × 0.5	0.7N·m	—	SUS304 NBR
	M5 × 0.8	1.0 ~ 1.5N·m		
	M6 × 1	2 ~ 2.7N·m		
	M3 × 0.5	0.5 ~ 0.6N·m		POM
	M5 × 0.8	1 ~ 1.5N·m		
	M6 × 0.75	0.8 ~ 1N·m		
Taper pipe thread	M8 × 0.75	1 ~ 2N·m	White	—
	R1/8	7 ~ 9N·m		
	R1/4	12 ~ 14N·m		
	R3/8	22 ~ 24N·m		
Unified thread	R1/2	28 ~ 30N·m	—	SUS304, NBR
	No.10-32UNF	1.0 ~ 1.5N·m		
National pipe thread taper	1/16-27NPT	7 ~ 9N·m	White	—
	1/8-27NPT	7 ~ 9N·m		
	1/4-18NPT	12 ~ 14N·m		
	3/8-18NPT	22 ~ 24N·m		
	1/2-14NPT	28 ~ 30N·m		

※ These values may differ for some products. Refer to each specification as well.

9. Instructions for removing a fitting

- ① When removing a fitting, use proper tools to loosen a hexagonal-column or an inner hex bolt.
- ② Remove the sealant stuck on the mating equipment. The remained sealant may get into the peripheral equipment and cause malfunctions.

10. Arrange piping avoiding any load on fittings and tubes such as twist, tensile, moment load, shaking and physical impact. These may cause damages to fittings, tube deformations, bursting and the escape of tubes.