

Accessories for Plarailchain

Cable clamp plate & Dividing sheet

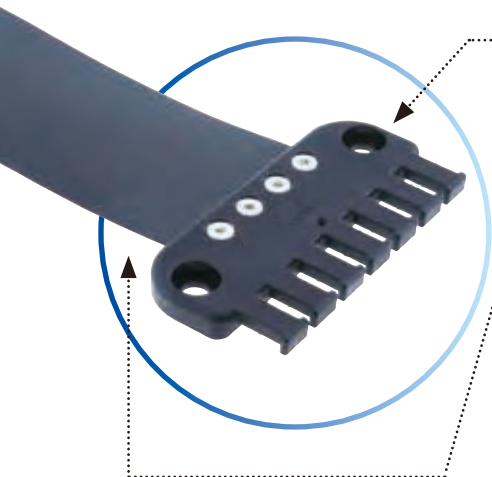


Finely organize tubes and cables inside Plarailchain.

Easily fix
tubes and
cables.

Simply fix with
cable ties!

Reduce drawn-in or protruded cables which may cause **Wear and tear.**



Cable clamp plate

- ▶ 7 types, from 4 to 10 comb-teeth, are available according to the plate width.
- ▶ By using spacers, cables can be organized into double tier.
- ▶ Plate with dividing sheet is available too.

Dividing sheet

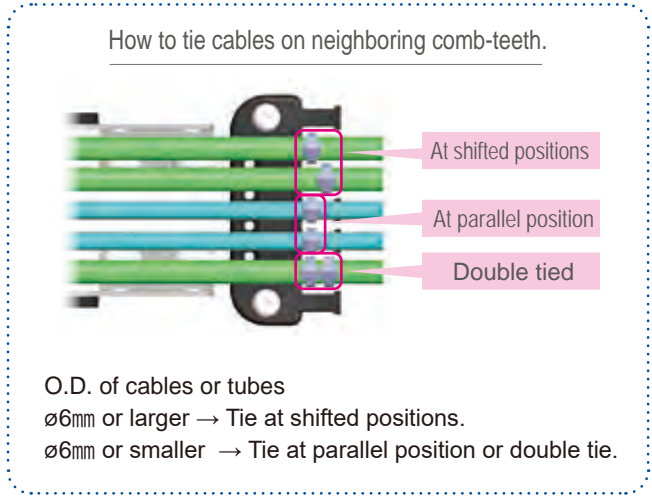
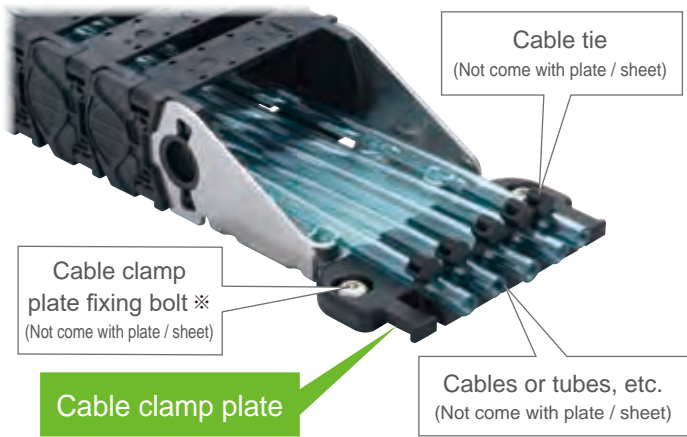
- ▶ Convenient to **organize cables and tubes** into double tier.
- ▶ **Reduce wear** between tubes and cables.
- ▶ Can be ordered with preferable length in 5mm.



How to use

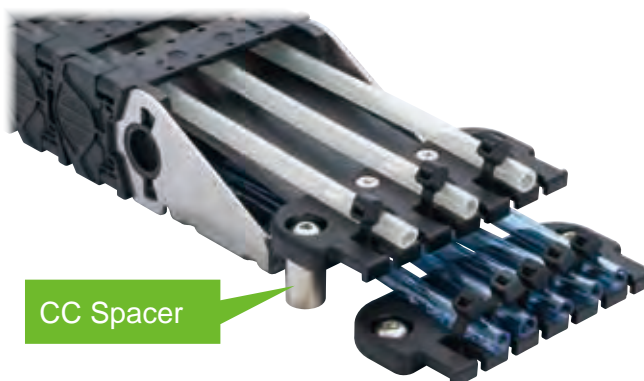
Place cables or tubes along comb-teeth of a cable clamp plate and fix them with cable ties.

Example Single tier

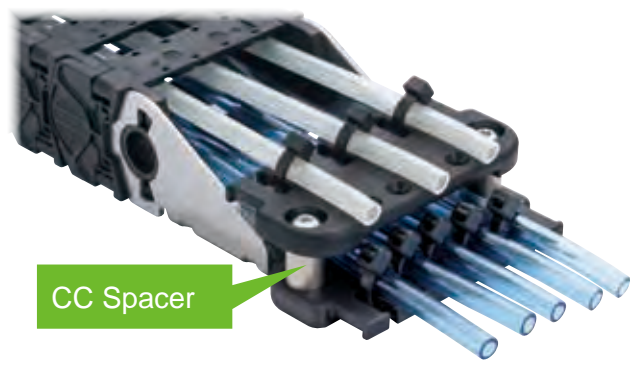


By using spacers, cables and tubes can be organized into double tier.

Example Double tier (in steps)

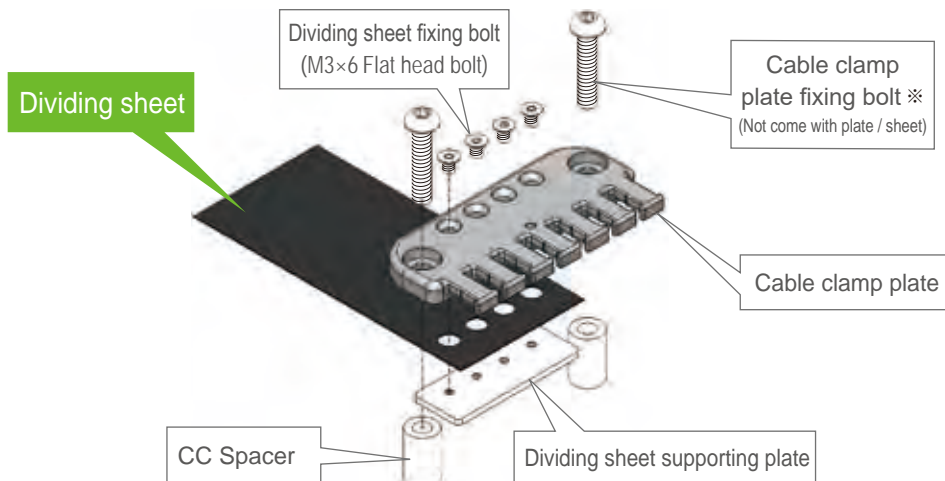


Example Double tier (overlapped)



A dividing sheet can be attached to a cable clamp plate.

By using a dividing sheet, wear between tubes and cables in different tier can be reduced.



※) Recommended bolt for fixing a cable clamp plate : Hexagon socket button head bolt M5 (2 pcs)

Model designation (Example)

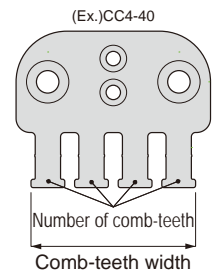
Cable clamp plate alone



①. Number of comb-teeth - Comb-teeth width

Code	4-40	5-50	6-60	7-70	8-80	9-90	10-100
Number of comb-teeth	4	5	6	7	8	9	10
Comb-teeth width (mm)	38.9	49.2	59.5	69.8	80.1	90.4	100.7

Cable clamp plate



CC Spacer



①. Height

Code	10	13	16
Height (mm)	10	13	16

※) 1 set contains 2 pcs of CC Spacers.

Spacer for Cable clamp plate

Dividing sheet alone (Make-to-order)



②. Dividing sheet length

Enter actual length after "L".

(Specify the actual length in 5 mm between 150mm and 2,500mm.)

※) Tolerance of the length is as followings.

From 150mm and less than 1,000mm : ±2mm

From 1,000mm to 2,500mm : ±4mm

①. Dividing sheet width

Code	16	26	36	46	56	76
Sheet width (mm)	16	26	36	46	56	76
Applicable cable clamp plate	CC4-40	CC5-50	CC6-60	CC7-70	CC8-80	CC10-100

Dividing sheet

Cable clamp plate + Dividing sheet fixing accessories set



Cable clamp plate +
Dividing sheet fixing
accessories set

①. Number of comb-teeth - Comb-teeth width

※) See the model designation of Cable clamp plate.

Cable clamp plate

Set includes:



- Cable clamp plate (1 pc.)
- M3X6 Flat head bolt
(See right table for Q'ty.)
- Dividing sheet supporting plate (1 pc.)

Cable clamp plate model code	Flat head bolt Q'ty	Parallel chain referential inner width (mm)
CC4-40	2	20
CC5-50	2	30
CC6-60	3	40
CC7-70	4	50
CC8-80	5	60
CC10-100	7	80

Cable clamp plate + Dividing sheet set (Make-to-order)



②. Dividing sheet length

※) See the model designation of Dividing sheet

Cable clamp plate + Dividing sheet fixing accessories set

①. Number of comb-teeth - Comb-teeth width

※) See the model designation of Cable clamp plate.

Cable clamp plate

Set includes:



- Cable clamp plate + Dividing sheet fixing accessories set (2 sets)
- ※) For details, see the set contents of Cable clamp plate + Dividing sheet fixing accessories set.
- Dividing sheet (1 pc.)

※) Fixing height of a dividing sheet can be adjusted by CC Spacer. (See P.7)

Compatibility table

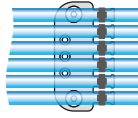
Referential effective width of Cable clamp plate

Cable clamp plate model code		CC4-40	CC5-50	CC6-60	CC7-70	CC8-80	CC9-90	CC10-100
Referential	Single tier use	20~50	30~60	40~70	50~80	60~90	70~100	80~110
effective width (mm)	Double tier use	20	30	40	50	60	70	80

For double tier use, the effective width of the lower cable clamp plate becomes narrower because of CC Spacer.

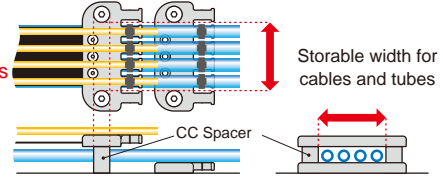
Single tier use

All comb-teeth can be used.



Double tier use

Comb-teeth between CC Spacers can be used.



※) See P.7 for storable width.

Single tier use Compatibility reference table for Plarailchain and Cable clamp plate

Type	Plarailchain inner width (mm)																					
	20	22	24	25	28	29	35	40	42	44	50	54	58	60	70	75	80	85	97	100	105	
HPU	203	-	-	-	-	-	-	206	-	306	-	-	408	-	-	-	-	-	412	-	-	
	204	-	-	-	-	-	-	-	-	-	-	-	-	-	-	-	-	-	-	-	-	
HPO	203	204	-	-	-	-	-	-	206	-	-	-	408	-	-	-	-	-	412	512	-	-
HPK	-	-	203	-	-	204	-	-	-	206	-	-	-	-	-	-	-	-	-	-	-	-
HPM	-	-	-	204	-	205	-	-	-	206	-	-	-	-	-	-	-	-	-	-	-	-
HPC	-	-	-	-	203	-	-	204	-	306	-	200	-	-	-	-	-	-	-	-	-	-
	-	-	-	-	50	-	-	100	-	-	-	-	-	-	-	-	-	-	-	-	-	-
HPE	-	-	-	-	-	-	-	-	-	-	-	-	408	-	-	-	-	-	412	-	-	-
SP	1520	-	-	-	-	-	2035	-	4542	-	2550	-	-	2560	-	4575	3580	2585	-	45100	35105	
		-	-	-	-	-	-	-	-	-	-	-	-	-	-	5575	-	-	-	55100	-	
		-	-	-	-	-	-	-	-	-	-	-	-	-	-	8075	-	-	-	80100	-	
SPO	-	-	-	-	-	-	-	-	-	-	-	-	-	-	4575	-	-	-	-	45100	-	
		-	-	-	-	-	-	-	-	-	-	-	-	-	5575	-	-	-	-	55100	-	
SC	1520	-	-	-	-	-	-	2040	-	-	-	-	-	2560	-	-	2580	-	-	35100	-	
		-	-	-	-	-	-	2540	-	-	-	-	-	3560	-	-	-	-	-	-	-	
SCL	2020	-	-	-	-	-	-	-	-	-	2050	-	-	-	2570	-	-	-	-	-	-	-
		-	-	-	-	-	-	-	-	-	3050	-	-	-	-	-	-	-	-	-	-	-
Applicable cable clamp plate	CC4-40																					
								CC5-50														
						CC6-60																
					CC7-70																	
				CC8-80																		
			CC9-90																			
																	CC10-100					

Double tier use Compatibility reference table for Cable clamp plate + Dividing sheet

Referential inner width (mm)		20	30	40	50	60	80		
Applicable cable clamp plate		CC4-40	CC5-50	CC6-60	CC7-70	CC8-80	CC10-100		
Dividing sheet width (mm)		16	26	36	46	56	76		
Plarailchain inner width (mm)		20	22	30	40	42	50	60	80
Model code	HPU	203	-	-	206	-	-	-	
		204	-	-	-	-	-	-	
	HPO	203	204	-	-	206	-	-	
	HPC	-	-	-	204	-	-	-	
		-	-	-	100	-	-	-	
	SP	1520	-	-	-	-	2550	2560	3580
	SC	1520	-	-	2040	-	-	2560	2580
-			-	2540	-	-	3560	-	
SCL	2020	-	-	-	-	-	2050	-	
		-	-	-	-	-	3050	-	

⚠ Cautions

1. Cable clamp plate fixing bolt and cable tie are not included.
2. Recommended max. size of applicable cable tie is 4.5mm (Width) and 1.2mm (Thickness).
3. Fix a cable clamp plate close to plarailchain bracket on moving / fixed end as much as possible.
4. Tightening torque for dividing sheet fixing bolt (M3x6 Flat head bolt) is 50N · cm.
5. Recommended tightening torque for cable clamp plate fixing bolt is 1.5N · cm.
6. For other instructions related to fixing, refer to "Safety Instructions for fixing storage items (tubings/ cables)" in digital catalog on Pisco website.

Specifications

■ Cable clamp plate

Material	PA6 GF35%
Operating temp. range(°C)	-10 ~ 80
Usage environmental conditions	Avoid using in acid/ alkaline atmosphere or in hot water.

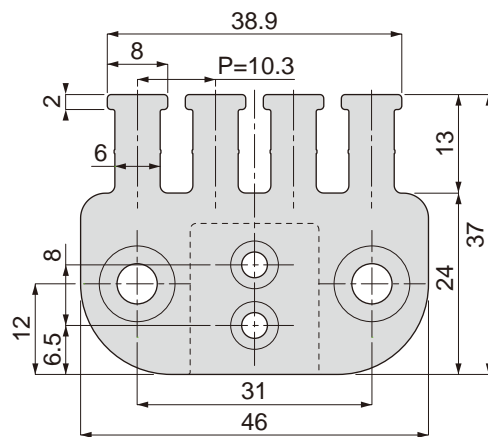
■ Material information of Dividing sheet and accessories

Dividing sheet	Ultra high molecular weight polyethylene (UHMW-PE)
CC Spacer	Aluminum
Dividing sheet supporting plate	SUS430
Dividing sheet fixing bolt	Alloy steel

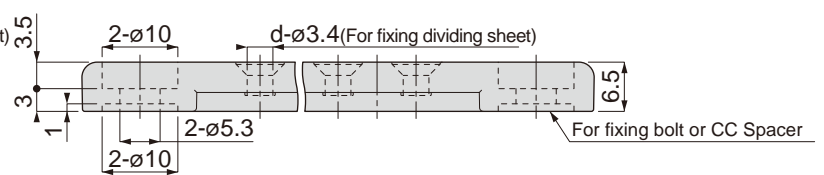
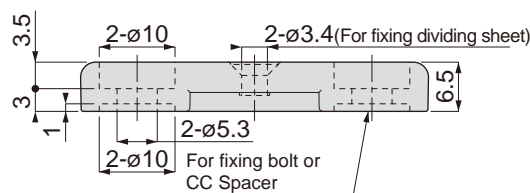
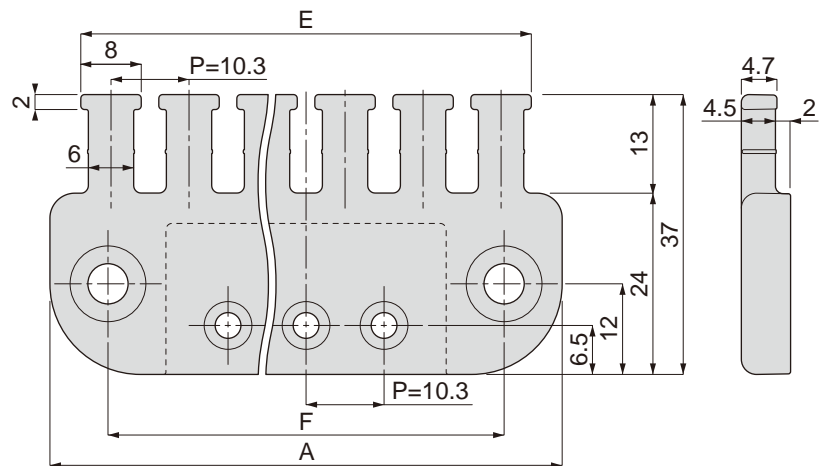
Appearance drawing

CC Cable clamp plate

● CC4-40



● CC□-□

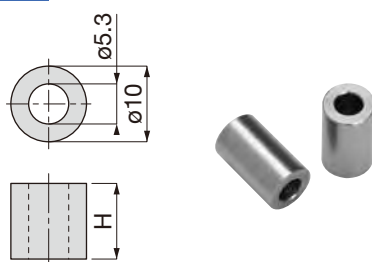


Unit : mm

Model code	Number of comb-teeth	E	A	F	Number of Dividing sheet fixing hole d	Weight (g)
CC4-40	4	-	-	-	-	9.7
CC5-50	5	49.2	57.3	42	2	12.1
CC6-60	6	59.5	67	52	3	14.2
CC7-70	7	69.8	77	62	4	16.3
CC8-80	8	80.1	87	72	5	18.5
CC9-90	9	90.4	98	83	6	20.8
CC10-100	10	100.7	108	93	7	23.1



CCS CC Spacer



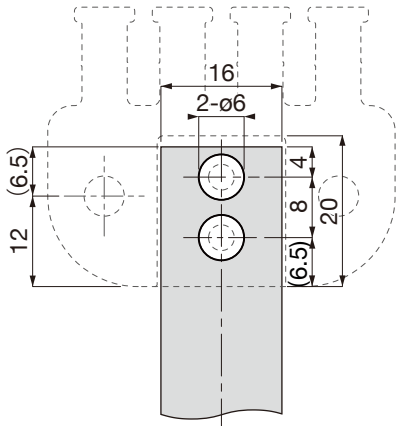
Unit : mm

Model code	H	Weight (g)
CCS10	10	1.5
CCS13	13	2.0
CCS16	16	2.5

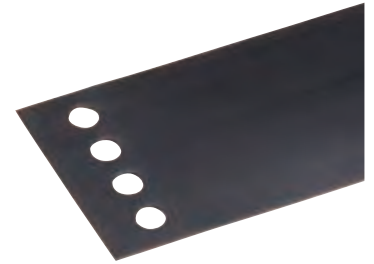
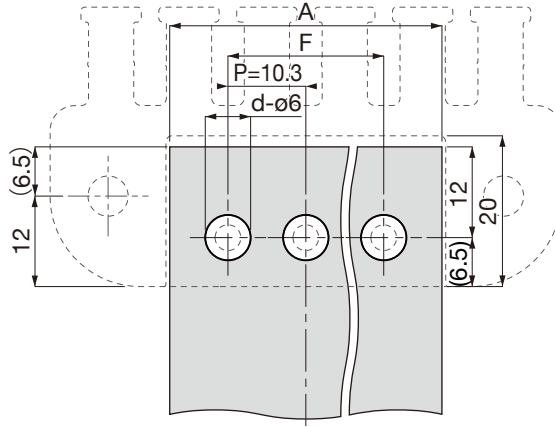
※)1 set contains 2 pcs of CC Spacers.

TS Dividing sheet (Make-to-order)

● TS16



● TS26 or more



Unit : mm

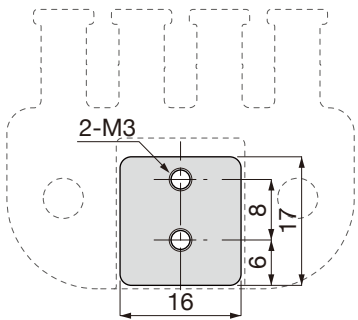
Model code	A	F	Number of fixing hole d	Weight (g/m)	Applicable cable clamp plate
TS16-L □	—	—	—	7.6	CC4-40
TS26-L □	26	10.3	2	12.4	CC5-50
TS36-L □	36	20.6	3	17.1	CC6-60
TS46-L □	46	30.9	4	21.9	CC7-70
TS56-L □	56	41.2	5	26.6	CC8-80
TS76-L □	76	61.8	7	36.1	CC10-100

※1) Thickness : t = 0.5mm

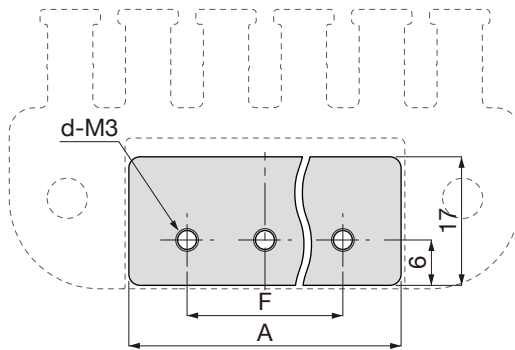
※2) Consult with PISCO how to determine optimal sheet length.

Dividing sheet supporting plate ※) Supporting plate alone is not available.

● For TS16



● For TS26 or more

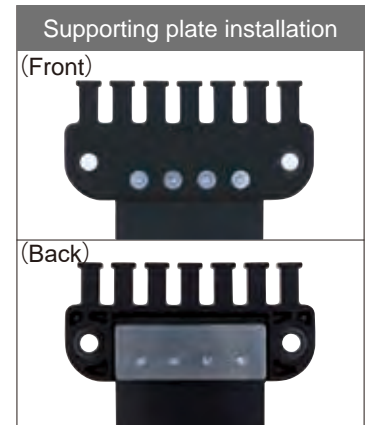


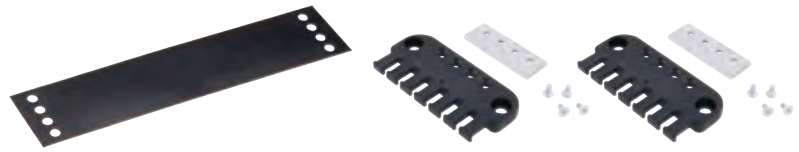
Unit : mm

Supporting plate	A	F	Number of fixing hole d	Weight (g)
For TS16 (For CC4-40)	—	—	—	3.8
For TS26 (For CC5-50)	26	10.3	2	6.2
For TS36 (For CC6-60)	36	20.6	3	8.6
For TS46 (For CC7-70)	46	30.9	4	10.9
For TS56 (For CC8-80)	56	41.2	5	13.3
For TS76 (For CC10-100)	77	61.8	7	18.1

※1) Plate thickness : t = 2.0mm

※2) M3X6 Flat head bolt included in "Cable clamp plate + Dividing sheet fixing accessories set" is 0.37 g/pc.





Model code list of

Cable clamp plate + Dividing sheet fixing accessories set

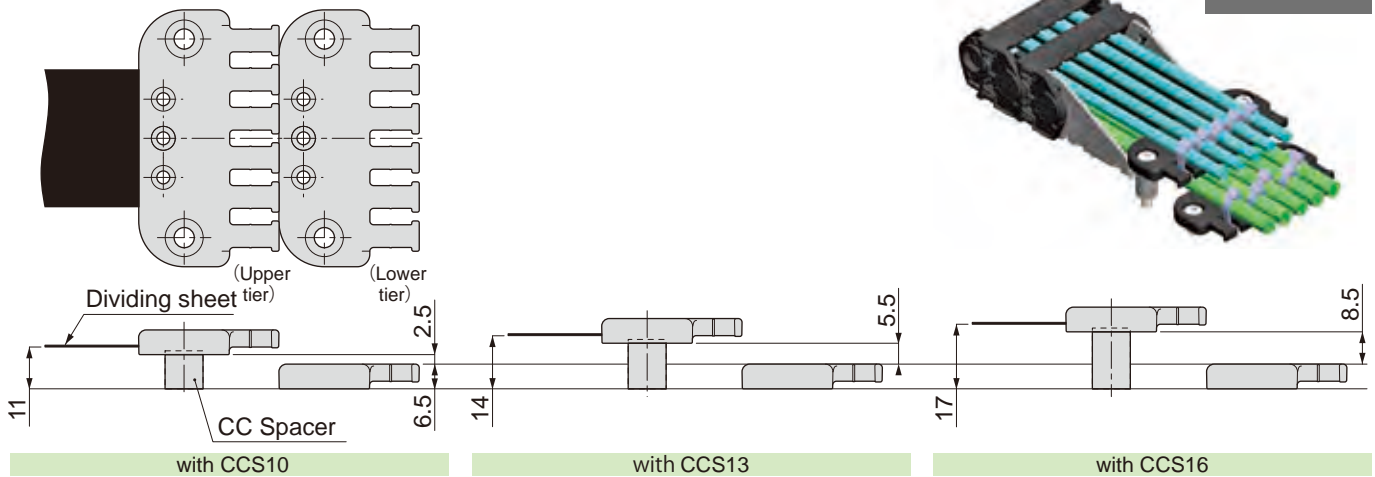
Model code
CC4-40-SET
CC5-50-SET
CC6-60-SET
CC7-70-SET
CC8-80-SET
CC10-100-SET

Model code list of Cable clamp plate + Dividing sheet set

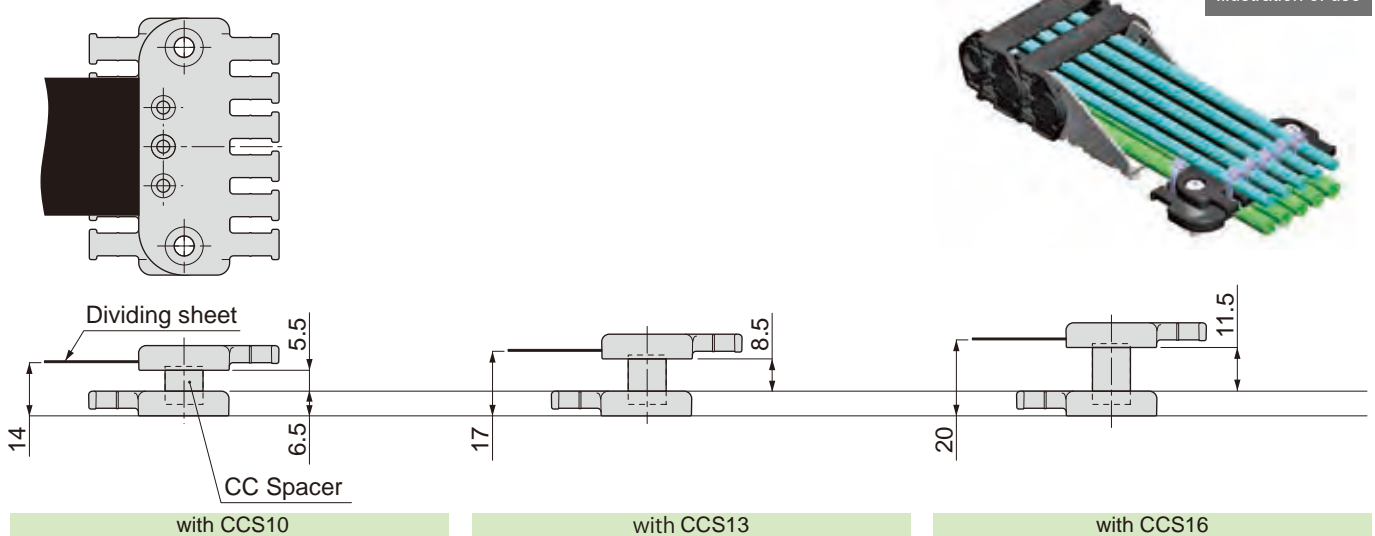
Model code
CC4-40-SET-L □
CC5-50-SET-L □
CC6-60-SET-L □
CC7-70-SET-L □
CC8-80-SET-L □
CC10-100-SET-L □

Dimensions with CC Spacer

● Double tier use (in steps)



● Double tier use (overlapped)



Unit : mm

Max. storable width for cables and tubes (Distance between CC Spacers)	CC4-40	CC5-50	CC6-60	CC7-70	CC8-80	CC9-90	CC10-100
		21	32	42	52	62	73

Various types and sizes are available.

Plarailchain Series

Standard type



HPU



Flap can be opened on either side.

HPO

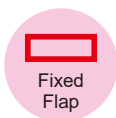


Full cover type that contributes to prevent entry of dust.

HPE



Storing space is divided into half. Cables and tubes can be stored separately.



HPK



Small type that can be used for single tube and cable.

HPM



Full cover type with low cost.

HPC



Simple flap type. Cables and tubes can be put in or out without tool.

High durability type



SP

SPO



Low wear and noise type with excellent durability.

Full cover type is available for some sizes.

Low noise · Low dust emission type



SC

SCL



Hinge connection type with less friction between links.

Space-saving type is available.

Clean
class Level
1000

Manufacturer / NIHON PISCO CO., Ltd.

<https://en.pisco.co.jp/>

OVERSEAS SALES PROMOTION TEAM (HQ)
PISCO TAIWAN CO., LTD
NIHON PISCO TAIWAN CO., LTD
PISCO USA, INC.
PISCO KOREA CO., LTD
NIHON PISCO CO., LTD. BANGKOK REPRESENTATIVE OFFICE
PISCO VIETNAM CO., LTD

TEL. +81-(0)265-76-7751
TEL. +886-(0)6-782-0701
TEL. +886-(0)6-726-4520
TEL. +1-630-993-3500
TEL. +82-32-327-9795
TEL. +66-(0)2-612-7366
TEL. +84-24-3200-0310

FAX. +81-(0)265-76-3305
FAX. +886-(0)6-782-0710
FAX. +886-(0)6-726-1526
FAX. +886-(0)6-726-1526
FAX. +82-32-327-0385
FAX. +66-(0)2-612-7399
FAX. +84-24-3200-5331

e-mail. intl@pisco.co.jp
e-mail. P8638@ms16.hinet.net
e-mail. inquiry@pisco.com
e-mail. webmaster@pisco.co.kr
e-mail. piscobkk@pisco.co.jp
e-mail. pisco-vnm2018@pisco-vn.com