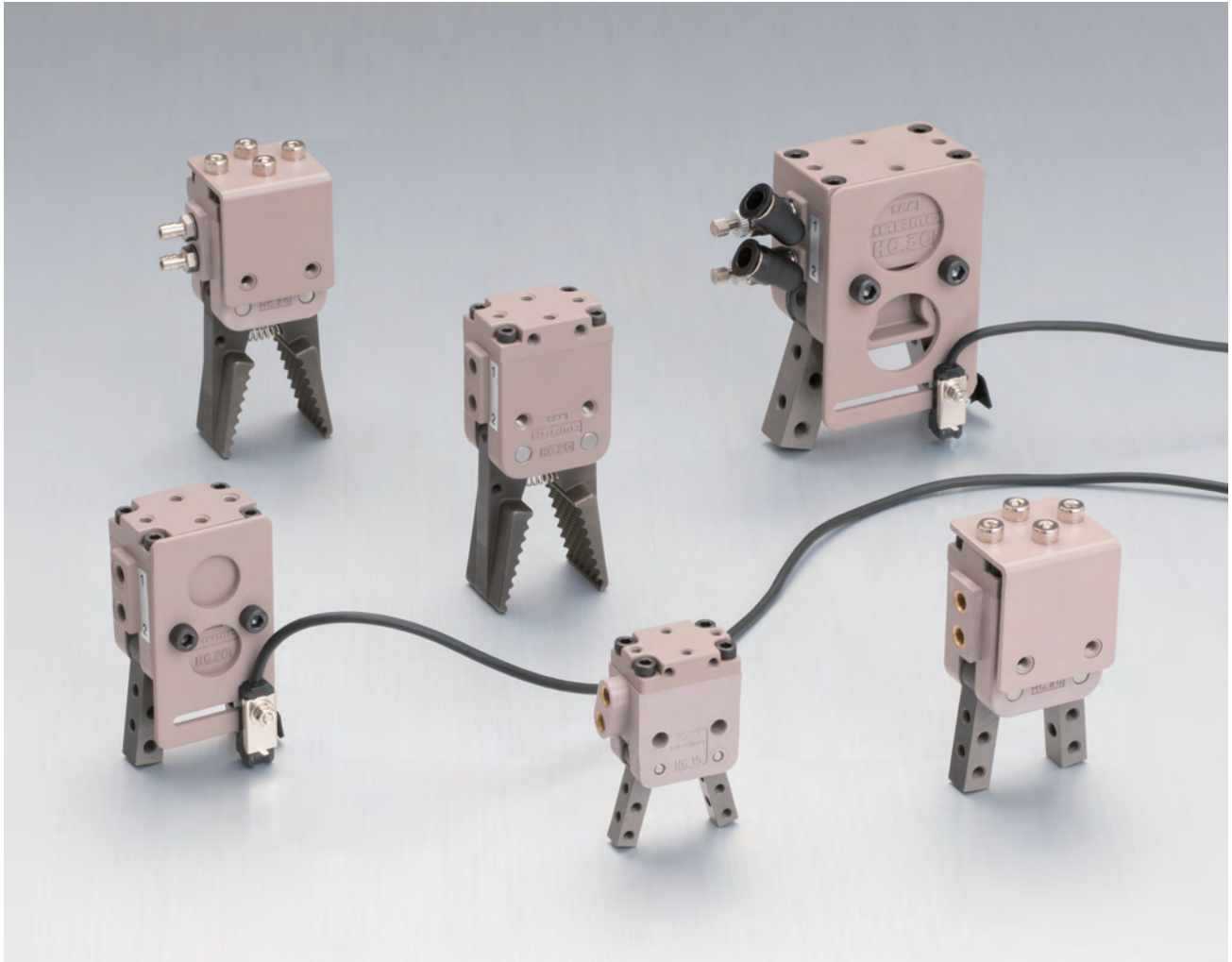


Angular Gripper



- Two types of body material are provided.
Plastic type realized light-weighted and Die cast type did durability.
- Three types of actions as option
Select from three types, double acting, single acting N.O., single acting N.C. for your application
- Single acting, spring open sprue grippers are offered, ideal for handling small plastic pieces or sprues.
No attachments are needed for gripping sprues.
- **Hot** Now HC15 type is available with sprue jaws.
The weight is 2.15 oz. (61g) which is less than half the weight of HC20BPX.



Model Designation (example)



⑤. Option

Code	-B	-S
Option	Mounting bracket	Sensor (with bracket)
HC15□P	✓	✓
HC20□P(X)	✓	✓
HC20□D	—	✓
HC20□DX	✓	✓
HC30□D	—	✓

④. Body Material

Code	P	D	PX	DX
Material	Plastic	Die Cast	Plastic with Sprue Jaws	Die Cast with Sprue Jaws
HC15	✓	—	—	—
HC20	✓	✓	✓	✓
HC30	—	✓	—	—

③. Action

Code	A	B	C
Action	Double	Single N.O.	Single N.C.

②. Cylinder Sectional Area

Code	15	20	30
Sectional area (cm ²)	2.1	4.3	8.8

①. Angular Gripper by Harmo

Gripper Specification

Type	HC15□P	HC20□P	HC20□D	HC30□D
Action	Double acting · Single acting			
Fluid	Air (No lubricated)			
Service Pressure Range	29~87psi (0.2~0.6MPa)		29~101.5psi (0.2~0.7MPa)	
Service Temperature Range	14~140 °F (-10~60 °C) (No freezing)			
Port size	M5×0.8mm			
Cylinder Sectional Area	2.1cm ² (.32in ²)	4.3cm ² (.67in ²)		8.8cm ² (1.36in ²)
Repeatability	±0.1mm (Center of fingers)			
Maximum cycles	100cpm			
Option	Mounting Bracket	✓	✓	—
	Sensor	✓	✓	✓

Sensor Specification

Power Voltage	12~24V DC +10%/-15% Ripple Max. P-P10%
Current consumption	Max. 15mA
Output	NPN transistor open collector Max. inflowing current : 100mA, Applied voltage : Max. 30V DC
Indication light	Orange LED (light on output)
Service Temperature Range	-13~158°F (-25~70°C)
Cable	0.08SQ 3 wires Length 1meter

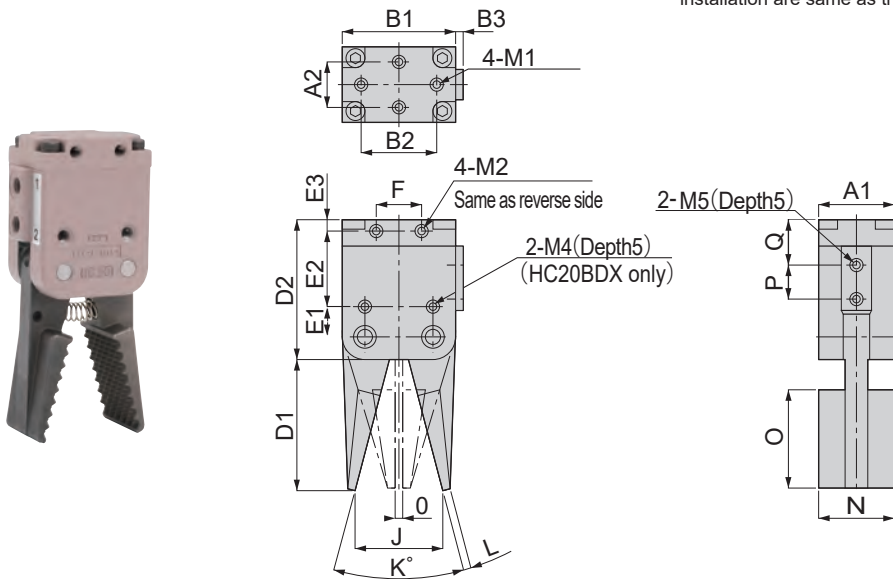


Dimensions

HC□B□X

Angular Gripper with Sprue Jaws

※The specification, the construction and the method of sensor installation are same as those of HC20BP、HC20BD.



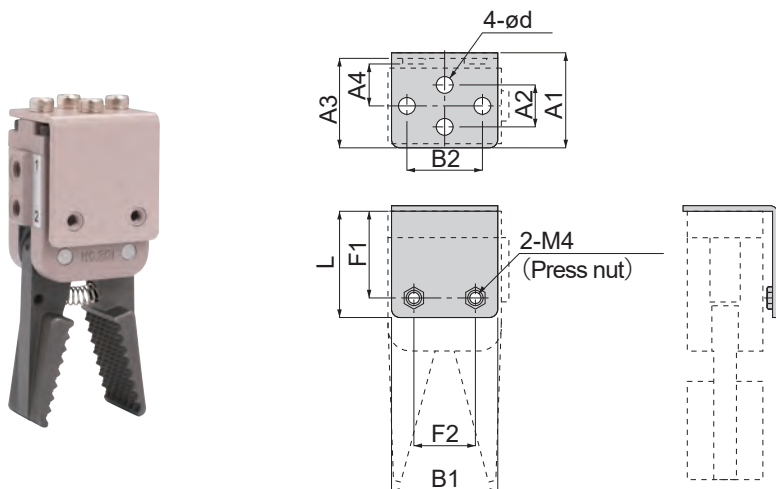
Unit : mm

Model	A1	A2	B1	B2	B3	D1	D2	E1	E2	E3	F	H
HC15BPX	19	12	28	22	5	20.5	35.5	8.5	19	3	12	16
HC20BPX	24	14	34	24	3	41	45	10	23.5	4	14	20
HC20BDX	25											

Model	J	K	L	M1	M2	N	O	P	Q	Mass (g)	Price (\$)
HC15BPX	16.2	37	2	M3(Depth 5)	M3(Depth 8)	18	18	8.8	11.7	61	190.00
HC20BPX	29	32	3	M4(Depth 6)	M4(Depth 8)	22	31	10	14	150	190.00
HC20BDX										225	200.00

HC□B□X-B

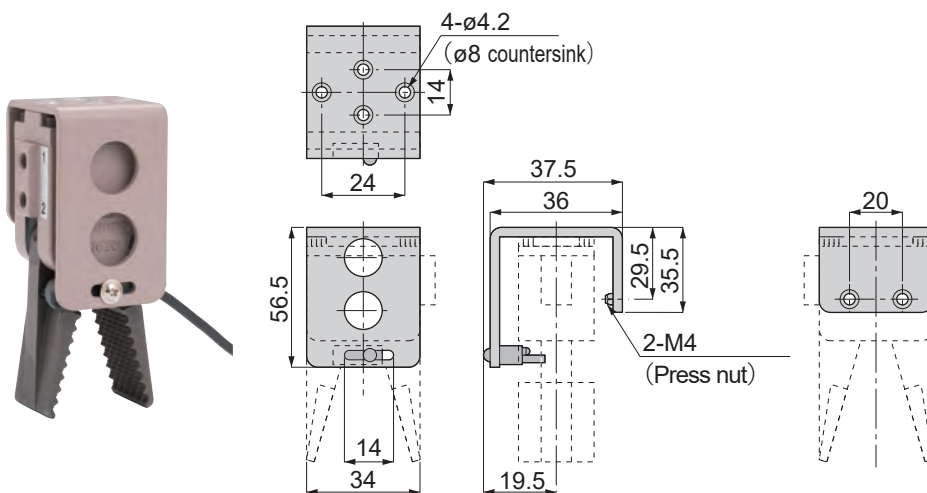
Mounting Bracket / Angular Gripper with Sprue Jaws



Unit : mm

Model	A1	A2	A3	A4	B1	B2	F1	F2	L	ød	Mass (g)	Price (\$)
HC15BPX-B	23.3	12	21	11.5	28	22	22	16	28	3.5	88	202.50
HC20BPX-B	29.3	14	27.3	12.5	34	24	27	20	34	4.5	183	202.50
HC20BDX-B											261	212.50

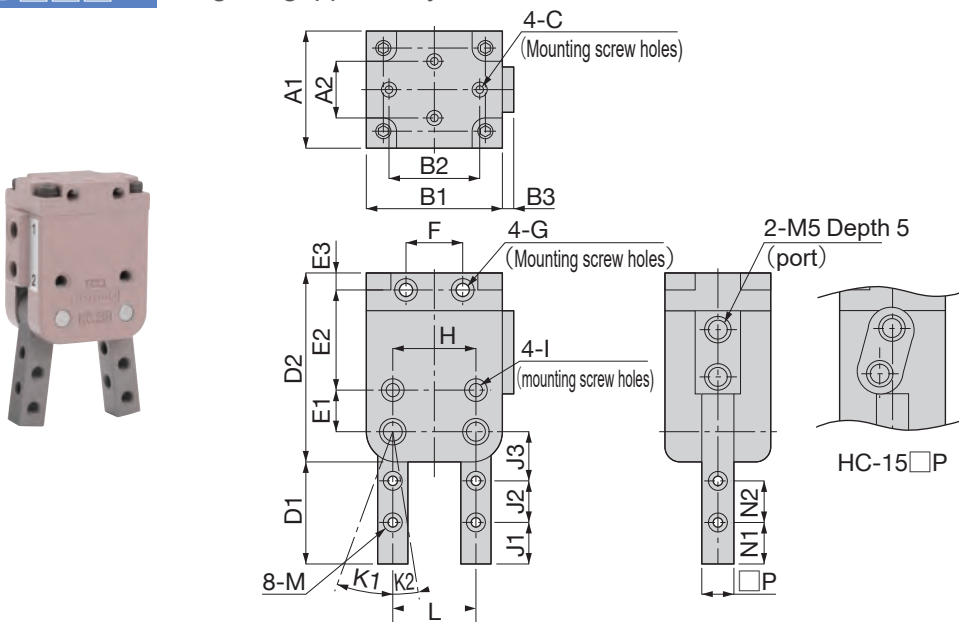
HC20B□X-S Sensor Bracket / Angular Gripper with Sprue Jaws



Unit : mm

Model	Mass (g)	Price (\$)
HC20BPX-S	225	270.00
HC20BDX-S	304	280.00

HC□□□ Angular gripper body



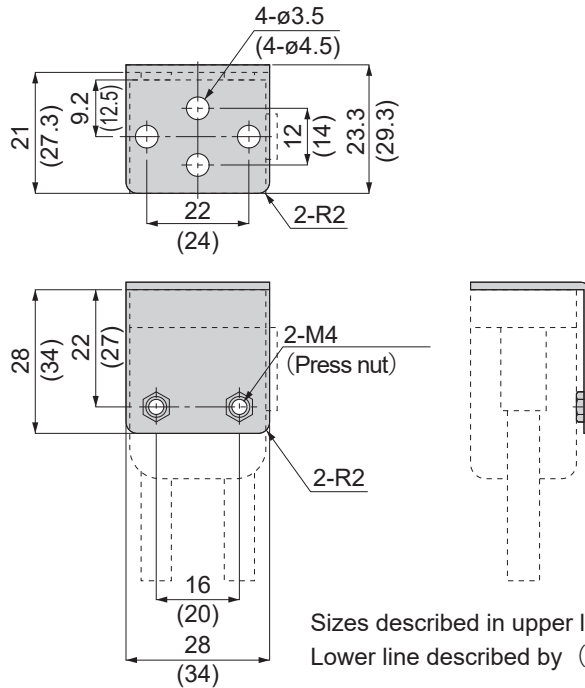
Unit : mm

Model	A1	A2	B1	B2	B3	C	D1	D2	E1	E2	E3	F	G	H
HC15□P	19	12	28	22	5	M3 (Depth 5)	20	35.5	8.5	19	3	12	M3 (Depth 8)	16
HC20□P	24	14	34.2	24	3.3	M4 (Depth 6)	24.5	45	10	23.5	4	14	M4 (Depth 8)	20
HC20□D														
HC30□D	32	22	52	42	2	M5 (Depth 6.5)	34	55	12	28	4	22	M5 (Depth 15)	30

Model	I	J1	J2	J3	K1	K2	L	M	N1	N2	□P	Mass (g)	Price (\$)
HC15□P	—	3	8	14	15°	10°	16	M3 (Through)	7	8	6 ^{-0.05} _{-0.10}	50	160.00
HC20□P	—	5	10	17	8°	13°	23	M4 (Through)	10	10	8 ^{-0.05} _{-0.10}	105	160.00
HC20□D	M4 (Depth 15)											180	170.00
HC30□D	M5 (Depth 6)	6	16	23	19°	10°	30	M5 (Through)	12	16	12 ^{-0.05} _{-0.10}	450	280.00

※ Fill the action mode into □ referring to the example of model designation.

HC□□P-B Mounting Bracket for Angular Gripper



Unit : mm

Model	Mass (g)	Price (\$)
HC15 \square P-B	77	172.50
HC20 \square P-B	140	172.50

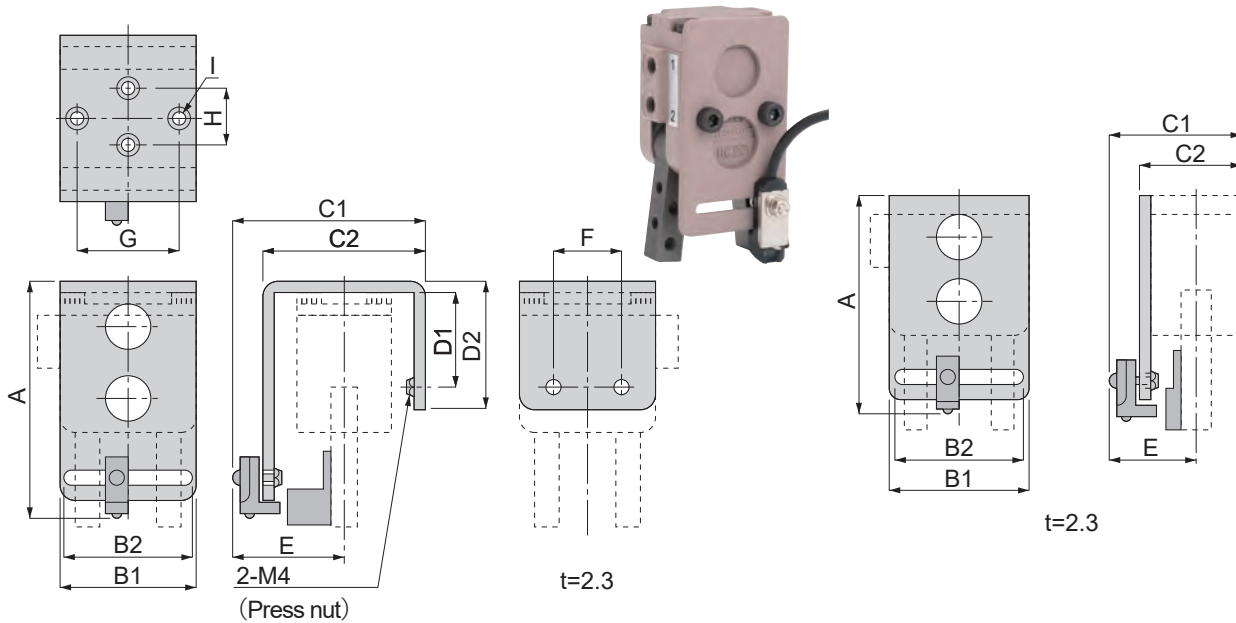
※ Fill the action mode into \square referring to the example of model designation.

Sizes described in upper line : for HC15□P
Lower line described by () : for HC20□P

HC□□□-S Sensor Bracket for Angular Gripper

HC15P · 20P type

HC20D · 30D type



Unit : mm

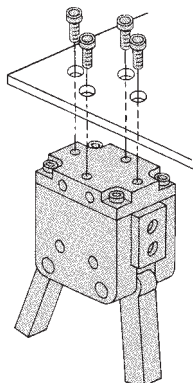
Model	A	B1	B2	C1	C2	D1	D2	E	F	G	H	I	Mass (g)	Price (\$)
HC15 \square P-S	59	28	21	37	30	22	30	22	16	22	12	4- ϕ 3.2 ϕ 6 countersink	112	240.00
HC20 \square P-S	70	34	25	43	36	27	35	25	20	24	14	4- ϕ 4.2 ϕ 8 countersink	188	240.00
HC20 \square D-S	68			33	26	-	-							
HC30 \square D-S	86	52	45	51	34	-	-	26	-	-	-	-	518	360.00

※1. HC15 \square P-S, HC20 \square P-S - Sensor bracket works as mounting bracket as well.

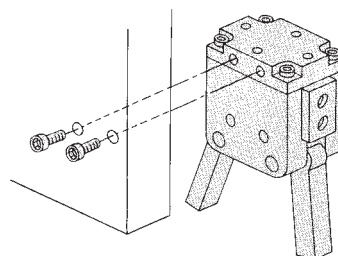
※2. Fill the action mode into \square referring to the example of model designation.

How to Install

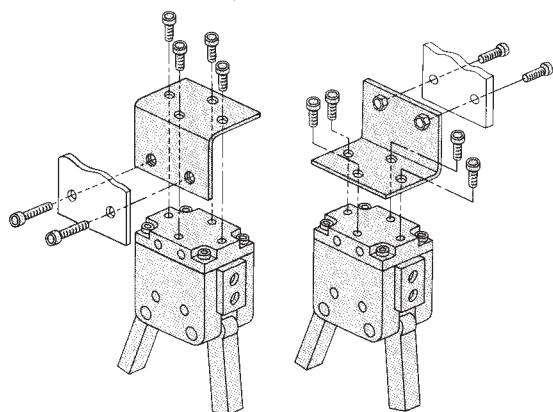
① .Use the mounting screw holes on the top cover all models)



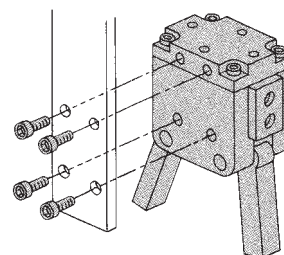
② .Lateral installation for plastic body type (HC15□P · HC20□P)



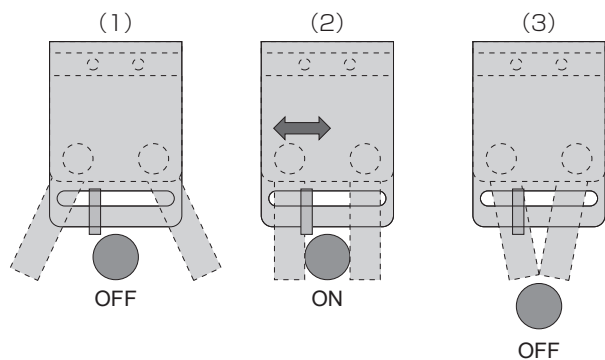
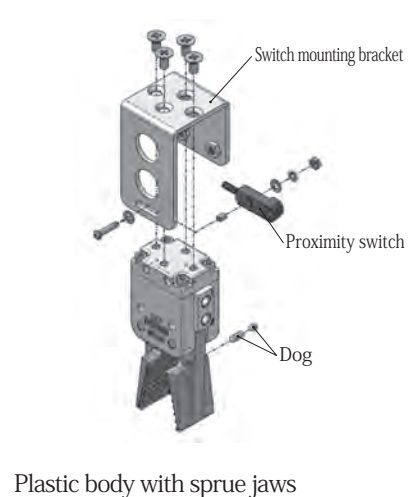
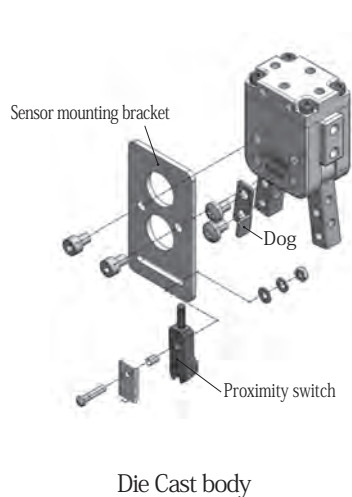
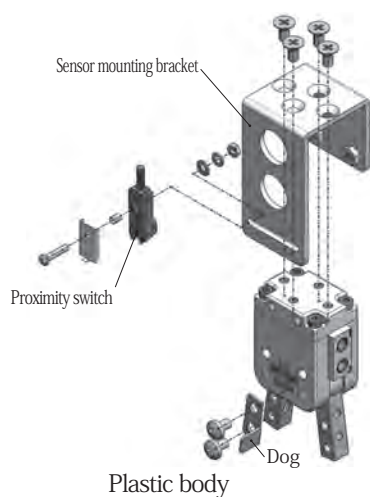
③ .Mounting bracket (option) (HC15□P · HC20□P)



④ .Lateral installation for die cast type (HC20□D · HC30□D)



Sensor installation and adjustment



Slide the sensor to the arrow direction and set the switch OFF condition at (1) and (3) position, and ON condition at (2) position

Detailed Safety Instruction

1. Supply clean and dry air to the Gripper.
2. Slower and gentler gripping, more accurate performance and repeatability.
3. Avoid lateral load to the jaws.
4. Make the finger attachment on the jaws as short and light as possible.

Option Parts

Model of Sensor Set (*1)			Model of Sensor only (*1)			Model of Sensor Fixing Plain Washer																																																													
Model	Gripper type	Note	Model	Gripper type	Note	Model	Gripper type	Note																																																											
D0002	HC15P	• Set Item	D000907	All types	Sensor 1 pc. + Fixing Screw 1 pc.	/500715	HC20BPX	For fixing 1 pc. required.																																																											
D0102	HC20P	Sensor, Sensor Fixing Screw,	Model of Limit Dog Fixing Screw for Sensor <table border="1"> <thead> <tr> <th>Model</th> <th>Gripper type</th> <th>Note</th> </tr> </thead> <tbody> <tr> <td>/100613</td> <td>HC15P</td> <td rowspan="3">For fixing, 2 pcs. required.</td> </tr> <tr> <td>/100813</td> <td>HC20P</td> </tr> <tr> <td>/101015</td> <td>HC30D</td> </tr> </tbody> </table>				Model		Gripper type	Note	/100613	HC15P	For fixing, 2 pcs. required.	/100813	HC20P	/101015	HC30D																																																		
Model	Gripper type	Note																																																																	
/100613	HC15P	For fixing, 2 pcs. required.																																																																	
/100813	HC20P																																																																		
/101015	HC30D																																																																		
D0132	HC20D	Limit Dog, Dog Fixing Screw,	Model of Bracket only (not a sensor mount type) (*2) <table border="1"> <thead> <tr> <th>Model</th> <th>Gripper type</th> <th>Note</th> </tr> </thead> <tbody> <tr> <td>D000901</td> <td>HC15P</td> <td>Fixing Screw Size: M3x0.5, Depth 5mm, 4 holes</td> </tr> <tr> <td>D010901</td> <td>HC20P</td> <td>Fixing Screw Size: M4x0.7, Depth 6mm, 4 holes</td> </tr> </tbody> </table>			Model	Gripper type	Note	D000901	HC15P	Fixing Screw Size: M3x0.5, Depth 5mm, 4 holes	D010901	HC20P	Fixing Screw Size: M4x0.7, Depth 6mm, 4 holes																																																					
Model	Gripper type	Note																																																																	
D000901	HC15P	Fixing Screw Size: M3x0.5, Depth 5mm, 4 holes																																																																	
D010901	HC20P	Fixing Screw Size: M4x0.7, Depth 6mm, 4 holes																																																																	
D0202	HC30D	Sensor Bracket, Sensor	Model of Sensor Bracket only <table border="1"> <thead> <tr> <th>Model</th> <th>Gripper type</th> <th>Note</th> </tr> </thead> <tbody> <tr> <td>D000902</td> <td>HC15P</td> <td rowspan="5">Bracket with sensor mount only</td> </tr> <tr> <td>D010902</td> <td>HC20P</td> </tr> <tr> <td>D013902</td> <td>HC20D</td> </tr> <tr> <td>D020902</td> <td>HC30D</td> </tr> <tr> <td>D016902</td> <td>HC20BPX</td> </tr> <tr> <td>D0162</td> <td>HC20BPX</td> <td rowspan="2">Bracket Fixing Screw</td> <td colspan="3" rowspan="2"> Model of Sensor Bracket Fixing Screw <table border="1"> <thead> <tr> <th>Model</th> <th>Gripper type</th> <th>Note</th> </tr> </thead> <tbody> <tr> <td>/110613</td> <td>HC15P</td> <td rowspan="2">For fixing, 4 pcs. required.</td> </tr> <tr> <td>/110815</td> <td>HC20P, HC30D</td> </tr> <tr> <td>/000304</td> <td>HC20D</td> <td>For fixing, 2 pcs. required.</td> </tr> <tr> <td>/110815</td> <td>HC20BPX</td> <td rowspan="2">For fixing, 2 pcs. required.</td> </tr> <tr> <td></td> <td>HC20BDX</td> </tr> </tbody> </table> </td> </tr> <tr> <td></td> <td>HC20BDX</td> <td></td> <td colspan="3" rowspan="2"> Model of Limit Dog for Sensor (Dog only) <table border="1"> <thead> <tr> <th>Model</th> <th>Gripper type</th> <th>Note</th> </tr> </thead> <tbody> <tr> <td>D000903</td> <td>HC15P</td> <td></td> </tr> <tr> <td>D010903</td> <td>HC20P</td> <td></td> </tr> <tr> <td>D013903</td> <td>HC20D</td> <td></td> </tr> <tr> <td>/080205</td> <td>HC20BPX</td> <td rowspan="2">Both required</td> </tr> <tr> <td>/080808</td> <td>HC20BDX</td> </tr> <tr> <td>D020903</td> <td>HC30D</td> <td></td> </tr> </tbody> </table> </td> </tr> </tbody> </table>			Model	Gripper type	Note	D000902	HC15P	Bracket with sensor mount only	D010902	HC20P	D013902	HC20D	D020902	HC30D	D016902	HC20BPX	D0162	HC20BPX	Bracket Fixing Screw	Model of Sensor Bracket Fixing Screw <table border="1"> <thead> <tr> <th>Model</th> <th>Gripper type</th> <th>Note</th> </tr> </thead> <tbody> <tr> <td>/110613</td> <td>HC15P</td> <td rowspan="2">For fixing, 4 pcs. required.</td> </tr> <tr> <td>/110815</td> <td>HC20P, HC30D</td> </tr> <tr> <td>/000304</td> <td>HC20D</td> <td>For fixing, 2 pcs. required.</td> </tr> <tr> <td>/110815</td> <td>HC20BPX</td> <td rowspan="2">For fixing, 2 pcs. required.</td> </tr> <tr> <td></td> <td>HC20BDX</td> </tr> </tbody> </table>			Model	Gripper type	Note	/110613	HC15P	For fixing, 4 pcs. required.	/110815	HC20P, HC30D	/000304	HC20D	For fixing, 2 pcs. required.	/110815	HC20BPX	For fixing, 2 pcs. required.		HC20BDX		HC20BDX		Model of Limit Dog for Sensor (Dog only) <table border="1"> <thead> <tr> <th>Model</th> <th>Gripper type</th> <th>Note</th> </tr> </thead> <tbody> <tr> <td>D000903</td> <td>HC15P</td> <td></td> </tr> <tr> <td>D010903</td> <td>HC20P</td> <td></td> </tr> <tr> <td>D013903</td> <td>HC20D</td> <td></td> </tr> <tr> <td>/080205</td> <td>HC20BPX</td> <td rowspan="2">Both required</td> </tr> <tr> <td>/080808</td> <td>HC20BDX</td> </tr> <tr> <td>D020903</td> <td>HC30D</td> <td></td> </tr> </tbody> </table>			Model	Gripper type	Note	D000903	HC15P		D010903	HC20P		D013903	HC20D		/080205	HC20BPX	Both required	/080808	HC20BDX	D020903	HC30D	
Model	Gripper type	Note																																																																	
D000902	HC15P	Bracket with sensor mount only																																																																	
D010902	HC20P																																																																		
D013902	HC20D																																																																		
D020902	HC30D																																																																		
D016902	HC20BPX																																																																		
D0162	HC20BPX	Bracket Fixing Screw	Model of Sensor Bracket Fixing Screw <table border="1"> <thead> <tr> <th>Model</th> <th>Gripper type</th> <th>Note</th> </tr> </thead> <tbody> <tr> <td>/110613</td> <td>HC15P</td> <td rowspan="2">For fixing, 4 pcs. required.</td> </tr> <tr> <td>/110815</td> <td>HC20P, HC30D</td> </tr> <tr> <td>/000304</td> <td>HC20D</td> <td>For fixing, 2 pcs. required.</td> </tr> <tr> <td>/110815</td> <td>HC20BPX</td> <td rowspan="2">For fixing, 2 pcs. required.</td> </tr> <tr> <td></td> <td>HC20BDX</td> </tr> </tbody> </table>			Model	Gripper type	Note	/110613	HC15P	For fixing, 4 pcs. required.	/110815	HC20P, HC30D	/000304	HC20D	For fixing, 2 pcs. required.	/110815	HC20BPX	For fixing, 2 pcs. required.		HC20BDX																																														
Model	Gripper type					Note																																																													
/110613	HC15P	For fixing, 4 pcs. required.																																																																	
/110815	HC20P, HC30D																																																																		
/000304	HC20D	For fixing, 2 pcs. required.																																																																	
/110815	HC20BPX	For fixing, 2 pcs. required.																																																																	
	HC20BDX																																																																		
	HC20BDX		Model of Limit Dog for Sensor (Dog only) <table border="1"> <thead> <tr> <th>Model</th> <th>Gripper type</th> <th>Note</th> </tr> </thead> <tbody> <tr> <td>D000903</td> <td>HC15P</td> <td></td> </tr> <tr> <td>D010903</td> <td>HC20P</td> <td></td> </tr> <tr> <td>D013903</td> <td>HC20D</td> <td></td> </tr> <tr> <td>/080205</td> <td>HC20BPX</td> <td rowspan="2">Both required</td> </tr> <tr> <td>/080808</td> <td>HC20BDX</td> </tr> <tr> <td>D020903</td> <td>HC30D</td> <td></td> </tr> </tbody> </table>			Model	Gripper type	Note	D000903	HC15P		D010903	HC20P		D013903	HC20D		/080205	HC20BPX	Both required	/080808	HC20BDX	D020903	HC30D																																											
Model	Gripper type	Note																																																																	
D000903	HC15P																																																																		
D010903	HC20P																																																																		
D013903	HC20D																																																																		
/080205	HC20BPX	Both required																																																																	
/080808	HC20BDX																																																																		
D020903	HC30D																																																																		



Cautions

- *1. The sensor is NPN Open collector output.
- *2. No screw is included. Please prepare Fixing Screw by yourself.



Package specifications



- 1 pc. in a bag: Limit Dog Fixing Screw for Sensor
- Limit Dog for Sensor (Dog only)
- Sensor Fixing Plain Washer
- Sensor Bracket only
- Sensor Bracket Fixing Screw
- Bracket only (not a sensor mount type)

1 set / bag: Sensor Set
Sensor only



i Accessories

1 Flow Control Valve

Meter-in flow control valve is best suitable for single-acting grippers.


Type	Model	Type	Model	Price (\$)
	JSC ϕ D-MB		JSS ϕ D-MB	
	JSC3-M3B		JSS3-M3B	12.45
	JSC3-M5B		JSS3-M5B	8.64
	JSC4-M3B (5/32")		JSS4-M3B (5/32")	12.45
	JSC4-M5B (5/32")		JSS4-M5B (5/32")	8.64
	JSC6-M5B		JSS6-M5B	10.45
	JSC1/8-M3B		JSS1/8-M3B	12.45
	JSC1/8-M5B		JSS1/8-M5B	8.64
	JSC1/4-M5B		JSS1/4-M5B	10.45

Meter-out flow control valve is best suitable for double-acting grippers.

Type	Model	Type	Model	Price (\$)
	JSC ϕ D-MA		JSS ϕ D-MA	
	JSC3-M3A		JSS3-M3A	12.45
	JSC3-M5A		JSS3-M5A	8.64
	JSC4-M3A (5/32")		JSS4-M3A (5/32")	12.45
	JSC4-M5A (5/32")		JSS4-M5A (5/32")	8.64
	JSC6-M5A		JSS6-M5A	10.45
	JSC1/8-M3A		JSS1/8-M3A	12.45
	JSC1/8-M5A		JSS1/8-M5A	8.64
	JSC1/4-M5A		JSS1/4-M5A	10.45



2 Barb Fitting

Ideal for small grippers with extremely thin bodies

Type	Model	Price (\$)
	LC- ϕ D-M	
	LC-0320-M3	1.18
	LC-0320-M3M ※	3.64
	LC-0320-M5	.55
	LC-0425-M3	1.18
	LC-0425-M5	.55
	LC-0640-M3	3.00
LC-0640-M5	.55	

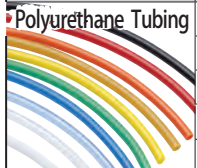
3 Push-in Mini Fitting

Push-in connect fitting makes piping easier

Type	Model	Price (\$)	Type	Model	Price (\$)
	PC ϕ D-MM			PL ϕ D-MM	
	PC3-M5M	1.91		PL3-M5M	2.82
	PC4-M5M	2.27		PL4-M5M	3.18
	PC6-M5M	2.36		PL6-M5M	3.23
	PC1/8-M5M	2.27		PL1/8-M5M	3.18
	PC5/32-M5M	2.27		PL5/32-M5M	3.18
	PC1/4-M5M	2.45		PL1/4-M5M	3.32

4 Tubings

Flexible polyurethane tubing, 9 colors

Type	Model	Price (\$) (per meter)
	UBT0320- <input type="text"/> - <input type="text"/>	.56
	UBT0425- <input type="text"/> - <input type="text"/>	.36
	UBT0640- <input type="text"/> - <input type="text"/>	.67
	UBT1/8- <input type="text"/> - <input type="text"/>	.30
	UBT1/4- <input type="text"/> - <input type="text"/>	.74


❖ Specify UBT0425 if you need 5/32" O.D. tubing

※Specify the tubing length in and the color in of the model number from the following option.

■ Polyurethane Tubing

- Tubing length ▶ 20 (20 meter roll) or 100 (100 meter reel)
- Color ▶ B : Black, R : Red, Y : Yellow, BU : Blue, O : Orange
G : Green, CB : Clear Blue, C : Clear, W : Milky white

Softer polyurethane tubing, 6 colors

Type	Model	Price (\$) (per meter)
	UC0425- <input type="text"/> - <input type="text"/>	.73
	UC0640- <input type="text"/> - <input type="text"/>	1.18

■ Softer Polyurethane Tubing

- Tubing length (m) ▶ 20 (20 meter roll), 100 (100 meter roll in a box)
- Color ▶ CBL : Clear Black, CO : Clear Orange, CY : Clear Yellow
CG : Clear Green, CB : Clear Blue, C : Clear