

CONPROSYS Series
24VDC AC-DC Power Supply Unit
CPS-PWD-30AW24-01



This product is an optional Power supply unit for the CPS-MCS341 series in the CONPROSYS series.

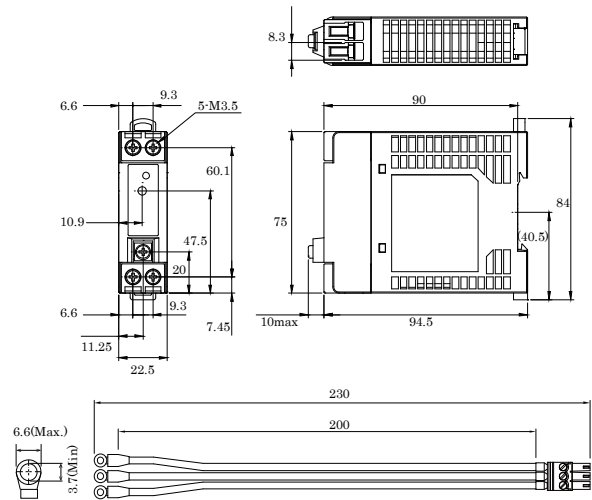
* Specifications, color and design of the products are subject to change without notice.

Specification

Requirement	Description	
Power supply space		
Rated input voltage	100 to 240VAC, 50 to 60Hz	
Permissible input voltage *	85 to 264VAC, 50 to 60Hz	
Input current	0.55A typ (100VAC), 0.35A typ (230VAC)	
Rated output voltage	24VDC	
Rated output current	1.3A (Max)	
Isolation	Input-Output	3000VAC 1minute 50MΩ (500VDC) (At room temperature)
	Input-PE	2000VAC 1minute 50MΩ (500VDC) (At room temperature)
	Output-PE	500VAC 1minute 50MΩ (500VDC) (At room temperature)
Environmental specs		
Temperature *	Operating : -20 to +70°C non operating : -30 to +85°C	
Humidity	Operating : 20 to 90%RH (No condensation) Non operating : 20 to 90%RH (No condensation)	
Floating dust particles	Not to be excessive	
Corrosive gases	None	
Vibration resistance	10 to 55Hz/ 2.0G	
Construction		
Length of DC cable (mm)	200 (not include connector)	
External dimensions (mm)	22.5(W)x75(D)x90(H) (not include projection)	
Weight	Main body : 165g Max.	
Longevity	7years (temperature 50°C, Input 100VAC, Output 0.9A)	
Standard	FCC Class B, UL/c-UL, TUV CE Marking (EMC Directive Class B, LVD, RoHS Directive)	

* The derating is required.

Physical Dimensions



Packing List

- Power Supply ...1
- Product guide ... 1
- Serial Number Label ...1
- DC Cable ...1
- Warranty Certificate ...1

* This product requires an AC cable. We also have recommended AC cable ready to be purchased. For more details, please refer to the Contec website. <http://www.contec.co.jp>

List of Optional

AC power cable

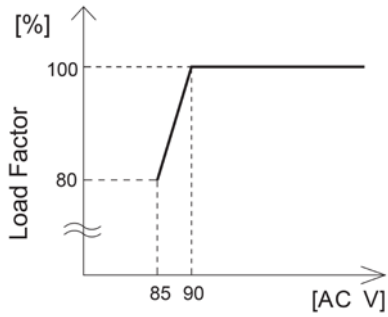
IPC-ACC03 : AC cable with 3-round-end terminal
 (Length : 2 meters, Rating : 7A 125V)

* Visit the Contec website regarding information on the optional products

External Dimensions

Derating by input voltage

Figure below shows derating curve by input voltage.



Input voltage derating curve

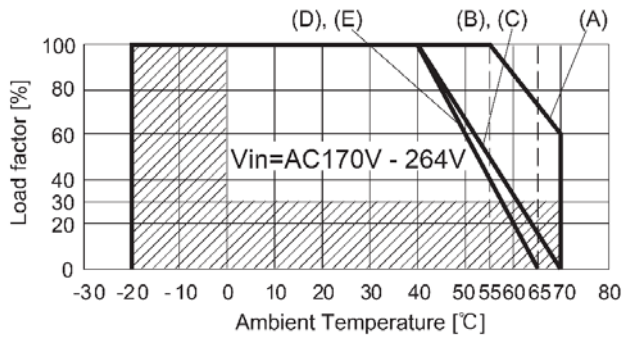
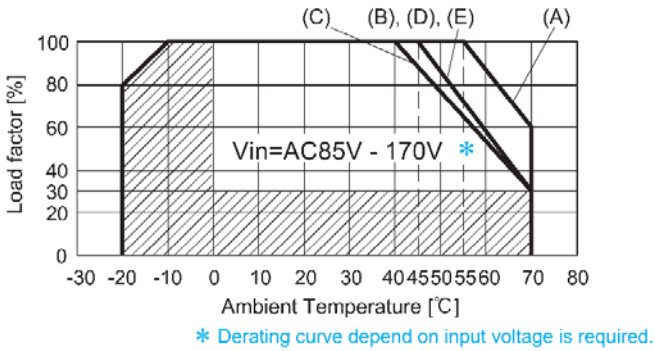
Derating by operating ambient temperature.

The operative ambient temperature as different by input voltage.

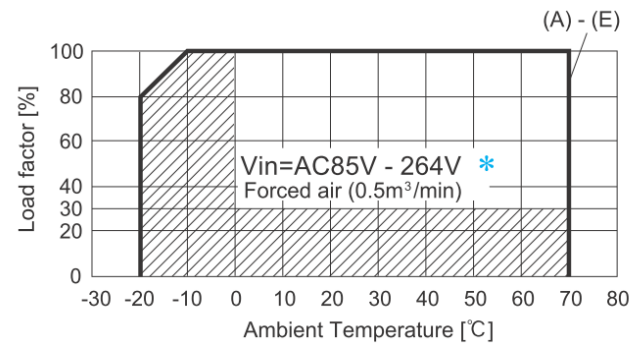
Derating curve is shown below.

In the hatched area, the specification of Ripple, Ripple Noise is different from other area.

Derating Curve (Convection)



Derating curve depend on ambient temperature



Derating curve depend on ambient temperature