

Minor Loop Control Driver (for AC Power Supply)



Features

- Optimize the control of minor feedback control type LEM※ valves by detecting the spool position with a differential transformer.
- The constant current characteristics suppress the power supply voltage fluctuation, and the output current fluctuation due to temperature rise of the solenoid, to almost zero.
- The output current waveforms (dither frequency, amplitude) are set to optimize the hysteresis and resolution of solenoid operated proportional control valves.
- The PWM (pulse width modulation) control of electrical current minimizes heat generation by the driver.

Nomenclature

KF ※ - **5** - **10**
1 2 1 3

1 Model No.

KF-5: Minor feedback control driver (for AC power supply)

2 Applicable control valve

No designation: LEM-G※※, LEMT-G03, LEMS-※※
 H: LEMT-G04

3 Design No. (The design No. is subject to change.)

Specifications

Model code		KF-5-10	KFH-5-10
Power supply voltage		AC 100, 200, 220 V (Common for 50 and 60 Hz)	
Permissible voltage fluctuation		-10 to +10%	
Applied load		Proportional solenoid (DC 24 V)	
Command input		DC 0 to 5 V or 1 kΩ potentiometer	
Output current		0 to 850 mA	0 to 1700 mA
Power consumption		62 VA	100 VA
Input impedance		70 ±5 kΩ	
Trimmer adjustment	MIN	0 to 2 V or more: Variable	
	MAX	5 to 1.9 V or less: Variable	
Dither selection		Selected among three kinds: high, medium and low, by changing the terminal connection	
Operating ambient temperature		0 to 55°C	
Operating ambient humidity		25 to 90%RH	
Mass		3.3 kg	

Handling

- Terminals 5 and 6 are for connecting an ammeter. Short the terminals when not connecting an ammeter.
- Dither selection terminals 9 and 11 are shorted at shipment (medium setting). Shorting 9 and 10 results in greater dither effect (low setting) and shorting 9 and 12 results in less dither effect (high setting).
- Terminals 16 and 17 are shorted at shipment. Do not remove the pin for short.
- Terminal 23 is for checking the minor feedback voltage to detect the spool position.

Contact Details

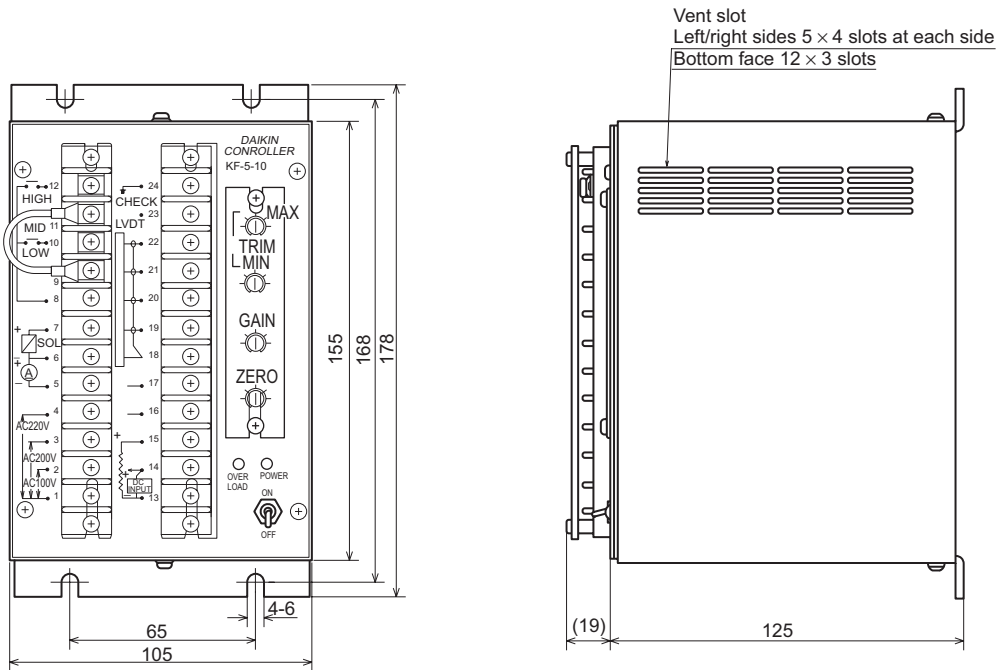
Before using the product, please check the guide pages at the front of this catalog.

Internet

<https://www.daikinpmc.com/en/>

For latest information, PDF catalogs and operation manuals

External dimension diagram



Circuit configuration diagram

Wiring diagram

