

Contact Details

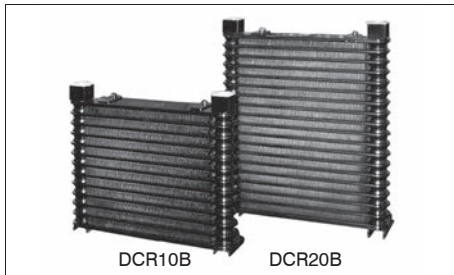
Before using the product, please check the guide pages at the front of this catalog.

Internet

<https://www.daikinpmc.com/en/>

For latest information, PDF catalogs and operation manuals

Oil Cooler (for Cooling Pump Drainage)



Nomenclature

DCR × × **B** - **10**

1

2

3

4

1 Model No.

DCR: Oil cooler (for cooling pump drainage)

2 Cooler capacity

10: Type 10
20: Type 20

3 Piping port *1

B: connection port Rc³/₈

4 Design No. (The design No. is subject to change.)

Note: *1 The NDR08 and NDR15 series rotor packs use dedicated oil coolers which have different piping port shapes from other oil coolers.

Specifications

Oil usable	Petroleum-based hydraulic fluid
Oil temperature	0 to 90°C
Atmosphere	Inside factory
Operating temperature range	0 to 40°C
Operating humidity range	20 to 85%RH (no condensation)
Passing flow rate L/min	4 maximum
Maximum operating pressure MPa {kgf/cm ² }	0.1 {1}
Power supply voltage	1-phase AC 200 V (50 Hz), AC 200 V (60 Hz), AC 220 V (60 Hz)
Permissible voltage fluctuation	90 to 110%

Fan motor electrical rating

Model code	Voltage V	Frequency Hz	Operating current A	Input W	Locked current A	Starting current A	Coil and protection type	Lead wire
DCR10B-10	200	50	0.120	16.0	0.170	0.170	Shading coil type (with impedance protector)	Heat resisting flat two-core vinyl cable <ul style="list-style-type: none"> Length: 1 m External dimensions: 5.4 × 2.7 mm Wire diameter: 0.75 mm²
	200	60	0.110	15.0	0.150	0.150		
	220	60	0.100	17.6	0.180	0.180		
DCR20B-10	200	50	0.260	36.0	0.350	0.350	Shading coil type (with thermal protector)	<ul style="list-style-type: none"> Length: 1 m Wire diameter: AWG22 (equivalent to 0.3 mm²) Sheath: PVC tube No. 4
	200	60	0.220	31.0	0.310	0.310		
	220	60	0.239	39.1	0.330	0.330		

Note: Install a 0.5 A circuit breaker to prevent damage at short-circuiting.

Contact Details

Before using the product, please check the guide pages at the front of this catalog.

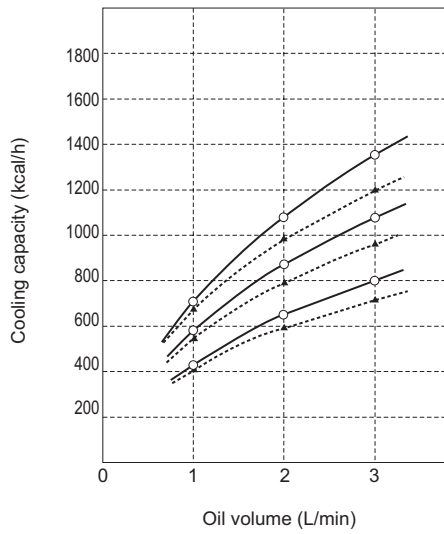
Internet

<https://www.daikinpmc.com/en/>

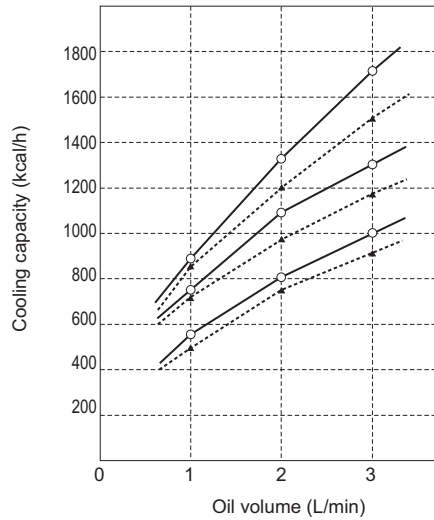
For latest information, PDF catalogs and operation manuals

Oil cooler performance curves

DCR10B-10



DCR20B-10



The lines in the graph have the following meanings.

○—○ : 60 Hz

▲---▲ : 50 Hz

Top: 50°C

Middle: 40°C

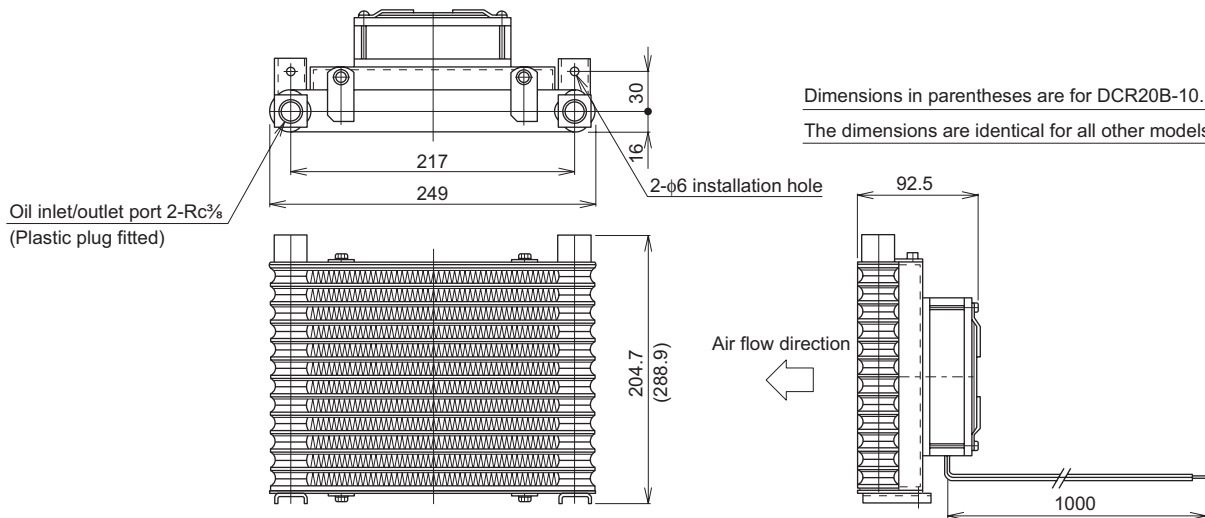
Bottom: 30°C

} Difference between room temperature and inlet oil temperature

External dimension diagram

DCR10B-10

DCR20B-10



Notes on handling

In the piping work, tighten Rc $\frac{3}{8}$ taper threads at a tightening torque of 28.5 to 33 N·m while holding the square boss still with a spanner.