

## Contact Details

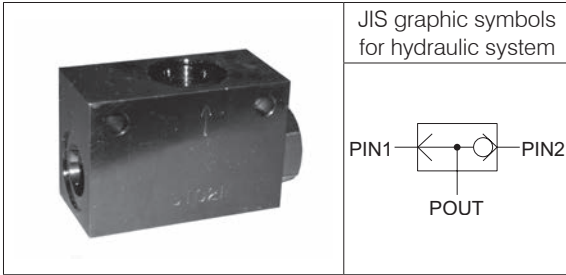
Before using the product, please check the guide pages at the front of this catalog.

Internet

<https://www.daikinpmc.com/en/>

For latest information, PDF catalogs and operation manuals

# Shuttle Valve (Screw Connection Type)



## Features

- These valves are used to open a line from the inlet port with the higher pressure of the two ports to the outlet port.

## Nomenclature

※ - **ST** - **02** **F**  
 1            2            3            4

### 1 Applicable fluid code

No designation: Petroleum-based hydraulic fluid, water-glycol hydraulic fluid  
 F: Phosphate ester hydraulic fluid

### 2 Model No.

ST: Type ST shuttle valve

### 3 Nominal diameter

02: 1/4

### 4 Connections

F: G1/4 port, O-ring boss connection type

## Specifications

Model code	Nominal diameter	Maximum operating pressure MPa {kgf/cm <sup>2</sup> }	Maximum flow rate L/min	Pressure drop *1 MPa {kgf/cm <sup>2</sup> }	Mass kg
ST-02F	1/4	21 {210}	20	0.5 {5}	0.5

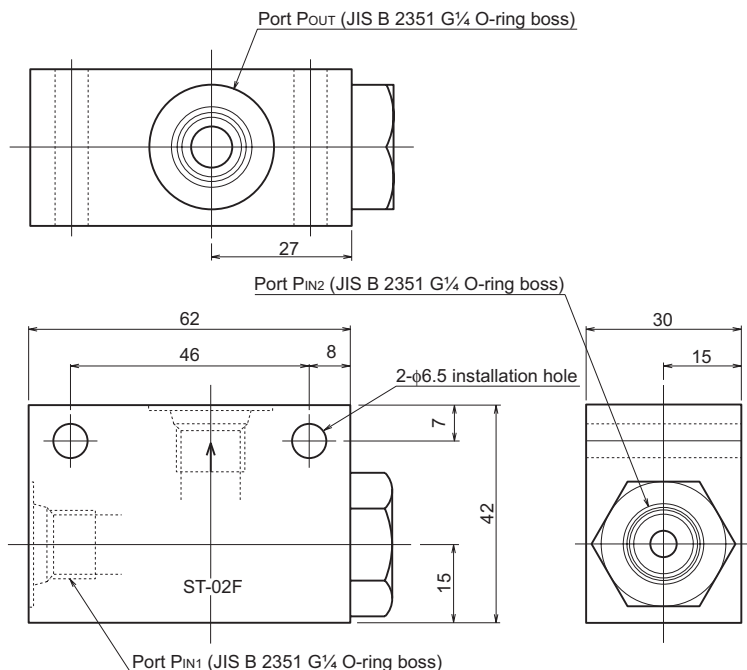
Note: \*1 The pressure drop indicated is the value at a flow rate of 20 L/min.

## Handling

- Connect the two selective lines to the inlet ports P<sub>IN1</sub> and P<sub>IN2</sub>.
- Use a G1/4 O-ring boss joint for piping.  
Do not use taper thread joints because they may distort the valve body and cause malfunctions.

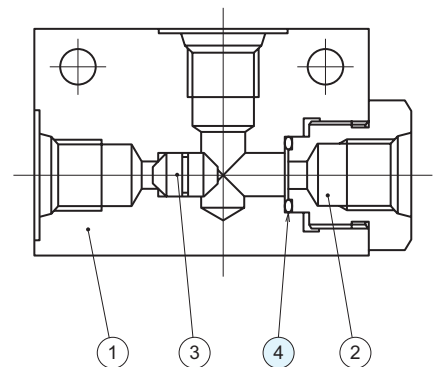
## External dimension diagram

ST-02F



## Sectional structural diagram

ST-02F



### Sealing part table

Part No.	Name	Quantity	Part specifications
4	O-ring	1	AS568-013 (NBR, Hs90)