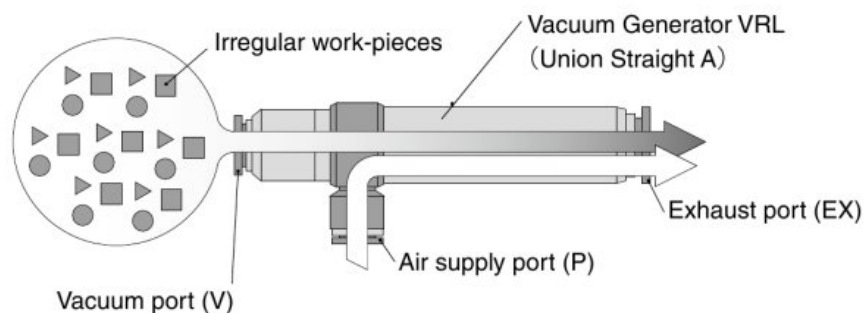






## Ejector for Conveying particles, powder and fibers Bore Through Vacuum Generator **VRL**

- *To convey small, irregular materials, such as particles, powder and fibers in the air current.*
- *The vacuum port and the exhaust port are located in a straight line. The works sucked in from the vacuum port pass through the inside of the vacuum generator and go out of the exhaust port. Thus the vacuum generator enables conveyance of works through a tube.*



- *Select the proper type according to work-piece size and the amount*

— Select the proper type according to work-piece size and the amount.